

LTC 9405 Series Wall/Ceiling Security Housings

Installation Instructions



Eng

F


D

E



NL

I

IMPORTANT SAFEGUARDS

1. Read Instructions - All the safety and operating instructions should be read before the unit is operated.
2. Retain Instructions - The safety and operating instructions should be retained for future reference.
3. Heed Warnings - All warnings on the unit and in the operating instructions should be adhered to.
4. Follow Instructions - All operating and use instructions should be followed.
5. Cleaning - Unplug the unit from the outlet before cleaning. Do not use liquid cleaners or aerosol cleaners. Use a damp cloth for cleaning.
6. Attachments - Do not use attachments not recommended by the product manufacturer as they may cause hazards.
7. Water and Moisture - Do not use this unit near water - for example, near a bath tub, wash bowl, kitchen sink, or laundry tub, in a wet basement, near a swimming pool, in an unprotected outdoor installation, or any area which is classified as a wet location.
8. Accessories - Do not place this unit on an unstable stand, tripod, bracket, or mount. The unit may fall, causing serious injury to a person and serious damage to the unit. Use only with a stand, tripod, bracket, or mount recommended by the manufacturer, or sold with the product. Any mounting of the unit should follow the manufacturer's instructions, and should use a mounting accessory recommended by the manufacturer. An appliance and cart combination should be moved with care. Quick stops, excessive force, and uneven surfaces may cause the appliance and cart combination to overturn. 
9. Ventilation - Openings in the enclosure, if any, are provided for ventilation and to ensure reliable operation of the unit and to protect it from overheating. These openings must not be blocked or covered. This unit should not be placed in a built-in installation unless proper ventilation is provided or the manufacturer's instructions have been adhered to.
10. Power Sources - This unit should be operated only from the type of power source indicated on the marking label. If you are not sure of the type of power supply you plan to use, consult your appliance dealer or local power company. For units intended to operate from battery power, or other sources, refer to the operating instructions.
11. Grounding or Polarization - This unit may be equipped with a polarized alternating-current line plug (a plug having one blade wider than the other). This plug will fit into the power outlet only one way. This is a safety feature. If you are unable to insert the plug fully into the outlet, try reversing the plug. If the plug should still fail to fit, contact your electrician to replace your obsolete outlet. Do not defeat the safety purpose of the polarized plug. Alternately, this unit may be equipped with a 3-wire grounding-type plug, a plug having a third (grounding) pin. This plug will only fit into a grounding-type power outlet. This is a safety feature. If you are unable to insert the plug into the outlet, contact your electrician to replace your obsolete outlet. Do not defeat the safety purpose of the grounding-type plug.
12. Power-Cord Protection - Power-supply cords should be routed so that they are not likely to be walked on or pinched by items placed upon or against them, paying particular attention to cords and plugs, convenience receptacles, and the point where they exit from the appliance.
13. Power Lines - An outdoor system should not be located in the vicinity of overhead power lines or other electric light or power circuits, or where it can fall into such power lines or circuits. When installing an outdoor system, extreme care should be taken to keep from touching such power lines or circuits as contact with them might be fatal. U.S.A. models only - refer to the National Electrical Code Article 820 regarding installation of CATV systems.
14. Overloading - Do not overload outlets and extension cords as this can result in a risk of fire or electric shock.
15. Object and Liquid Entry - Never push objects of any kind into this unit through openings as they may touch dangerous voltage points or short-out parts that could result in a fire or electric shock. Never spill liquid of any kind on the unit.
16. Servicing - Do not attempt to service this unit yourself as opening or removing covers may expose you to dangerous voltage or other hazards. Refer all servicing to qualified service personnel.
17. Damage Requiring Service - Unplug the unit from the outlet and refer servicing to qualified service personnel under the following conditions:
 - a. When the power-supply cord or plug is damaged.
 - b. If liquid has been spilled, or objects have fallen into the unit.
 - c. If the unit has been exposed to rain or water.
 - d. If the unit does not operate normally by following the operating instructions. Adjust only those controls that are covered by the operating instructions, as an improper adjustment of other controls may result in damage and will often require extensive work by a qualified technician to restore the unit to its normal operation.
 - e. If the unit has been dropped or the cabinet has been damaged.
 - f. When the unit exhibits a distinct change in performance--this indicates a need for service.
18. Replacement Parts - When replacement parts are required, be sure the service technician has used replacement parts specified by the manufacturer or have the same characteristics as the original part. Unauthorized substitutions may result in fire, electric shock or other hazards.
19. Safety Check - Upon completion of any service or repairs to this unit, ask the service technician to perform safety checks to determine that the unit is in proper operating condition.
20. Coax Grounding - If an outside cable system is connected to the unit, be sure the cable system is grounded. U.S.A. models only--Section 810 of the National Electrical Code, ANSI/NFPA No.70-1981, provides information with respect to proper grounding of the mount and supporting structure, grounding of the coax to a discharge unit, size of grounding conductors, location of discharge unit, connection to grounding electrodes, and requirements for the grounding electrode.
21. Lightning - For added protection of this unit during a lightning storm, or when it is left unattended and unused for long periods of time, unplug it from the wall outlet and disconnect the cable system. This will prevent damage to the unit due to lightning and power-line surges.

SAFETY PRECAUTIONS

	CAUTION RISK OF ELECTRIC SHOCK. DO NOT OPEN!	
CAUTION: TO REDUCE THE RISK OF ELECTRICAL SHOCK, DO NOT OPEN COVERS. NO USER SERVICEABLE PARTS INSIDE. REFER SERVICING TO QUALIFIED SERVICE PERSONNEL.		

This label may appear on the bottom of the unit due to space limitations.



The lightning flash with an arrowhead symbol, within an equilateral triangle, is intended to alert the user to the presence of un-insulated "dangerous voltage" within the product's enclosure that may be of sufficient magnitude to constitute a risk of electric shock to persons.



The exclamation point within an equilateral triangle is intended to alert the user to presence of important operating and maintenance (servicing) instructions in the literature accompanying the appliance.

WARNING
TO PREVENT FIRE OR SHOCK HAZARD, DO NOT EXPOSE UNITS NOT SPECIFICALLY DESIGNED FOR OUTDOOR USE TO RAIN OR MOISTURE.

CONTENTS

1	UNPACKING	1.3
2	SERVICE	1.3
3	CARE AND MAINTENANCE	1.3
4	DESCRIPTION	1.3
5	INSTALLATION	1.4
5.1	Accessories	1.4
5.2	Disassembly	1.4
5.3	Mounting the Unit	1.5
5.4	Camera/Lens Installation	1.6
5.5	Final Assembly	1.7

I UNPACKING

Unpack carefully. This is electro-mechanical equipment and should be handled with care.

Check for the following items:

- Model number of unit.
- Hardware Kit.
 - (1) ¼-20 Button-Head Flange Screw
 - (1) Tamper-resistant Tool (basic models only)
 - (1) Alternate Camera Bracket
 - (1) Key (Locking models only)

If an item appears to have been damaged in shipment, replace it properly in its carton and notify the shipper. If any items are missing, notify your Philips Communication & Security Systems Sales Representative or Customer Service.

The shipping carton is the safest container in which the unit may be transported. Save it for possible future use.

2 SERVICE

If the unit ever needs repair service, the customer should contact the nearest Philips Communication & Security Systems Service Center for return authorization and shipping instructions.

3 CARE AND MAINTENANCE

There are no moving parts in this unit. Regularly scheduled maintenance will help prolong the operation life of this unit. Clean the viewing window as needed with a mild, non-abrasive detergent in water and a soft cloth.

4 DESCRIPTION

The LTC 9405 series are wall or ceiling mounted security housings designed for applications such as prisons, parking garages and hospitals. These housings are ideal for any application requiring secure CCTV monitoring.

LTC 9405 has an overall size of 279 mm x 165 mm x 140 mm (11 in x 6.5 in x 5.5 in). The LTC 9405 series housings accept camera-lens combinations up to 190 L x 68 W x 68 H mm (7.5 x 2.7 x 2.7 in).

For maximum protection and durability, the light weight cast aluminum design of the LTC 9405 series housings provide the strength equivalent 10 gage steel with the superior strength to weight ratio of aluminum. The standard viewing window is constructed of 9.5 mm (0.37 in.) clear polycarbonate treated with a scratch-resistant coating. The removable cover provides access to the camera and is secured with a single tamper-resistant and captive screw. A special tool is provided for turning the screw to open or close the cover. During servicing or adjustment of the camera, the cover may be completely removed or (if mounted on a ceiling) it may be left attached to the top panel assembly using the "hinged slots" provided.

Attractively styled these housings are designed to be mounted on the ceiling, on the wall horizontally or on the wall vertically. Options include a key lock on the access panel and a clear 12.7 mm (0.5 in) viewing window.

5 INSTALLATION



This installation should be made by qualified service personnel and conform to the National Electrical Code and applicable local codes.

Tools Required.

- Allenwrench - 5/32-inch.
- Wrench - 10 mm.

5.1 Disassembly

1. Remove the hardware kit from the shipping carton.
2. Models LTC 9405/00 and 9405/03 require the use of the special tool to unscrew the tamper-resistant screw on the front of the cover. See figure 1.

Models LTC 9405/01 and 9405/05 require the use of the key to unscrew the lock on the front of the cover. See figure 1.

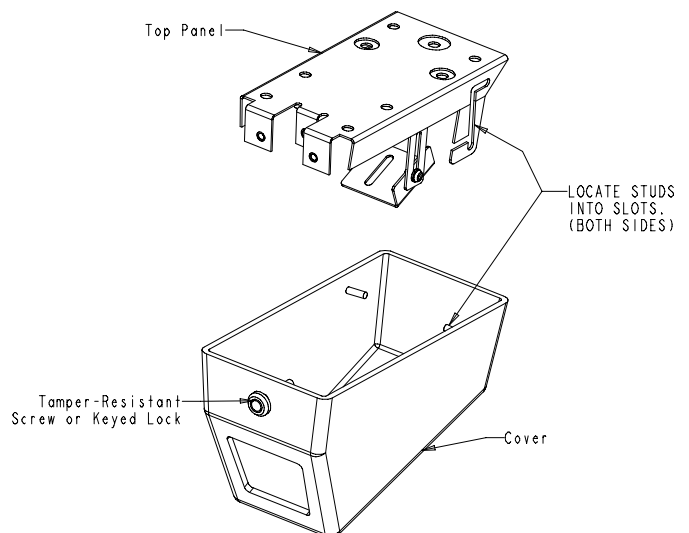


Figure 1: Removing the cover

- For all models, unscrew the screw or the lock until the front of the cover is free from the top panel.
- With the unit on a workbench or table, hold the cover stationary. Remove the top panel by grasping it and pulling it rearward, then upward for about 51 mm (2 in.), and finally rearward again until the slots in the top panel have cleared the studs in the cover.
- Unscrew the flange nut and remove the camera mount system from the top panel. See figure 2. Do not lose the parts, they will be needed to mount the camera and reassemble the unit.

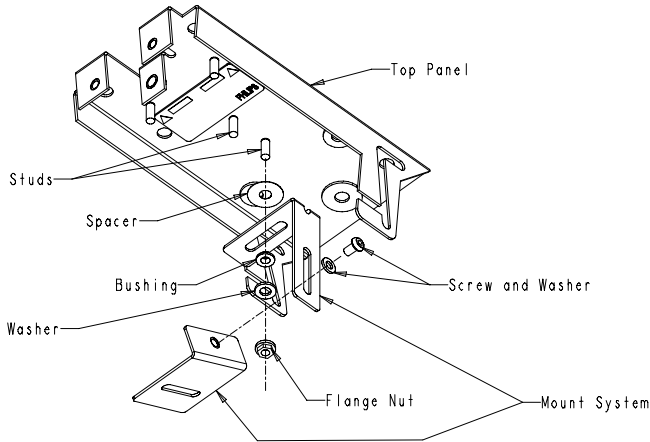


Figure 2: Removing the Mount System

5.2 Mounting the Unit

- Position the top panel on the ceiling or wall, horizontally or vertically, depending on the installation requirements. See figure 3. A smooth flat surface is ideal for proper installation. Note the minimum space requirements shown in figure 3.



WARNING! - Do not use the hinge feature when the unit is mounted on a wall. The cover may fall from the top panel.

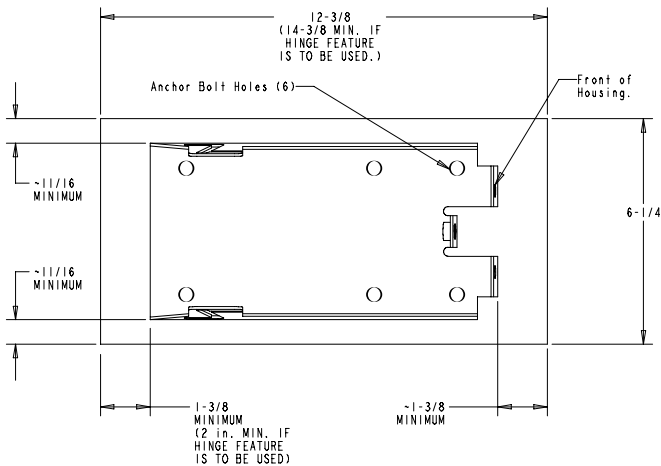


Figure 3: Positioning the Top Panel

- Mark the anchor bolt locations on the mounting surface using the holes in the top panel as a template. At least four 8-mm (5/16-in.) anchor bolts will be needed. Use of six bolts is recommended.
- Drill holes and install anchors as required by the type of mounting surface.
- Decide how the wiring will be routed to the unit. Two knockouts for 1/2 inch conduit and one knockout for 3/4 inch conduit are provided. See figure 4.

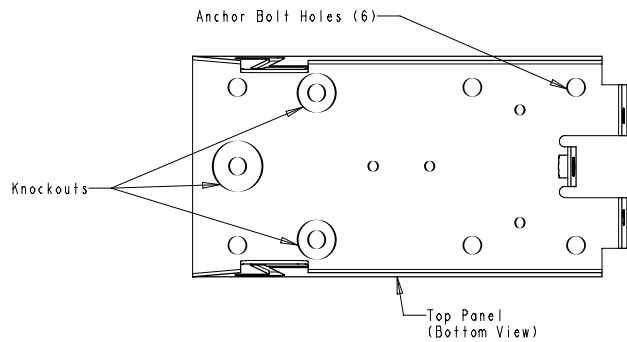


Figure 4: Bolt Holes and Knockouts

- Mount the top panel using the bolts and rout the wiring.

5.3 Camera/Lens Installation

- If the installation requires that the camera be mounted horizontally to a wall, remove the camera bracket from the mounting system and install the alternate camera bracket provided in the hardware kit. See figure 5.

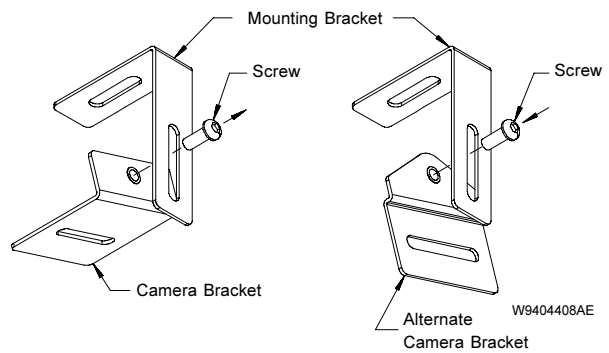


Figure 5: Alternate Camera Mount

- Reattach the camera mounting system to the top panel using the same hardware that was removed in step 5 of section 5.1. Use either of the two studs near the center of the panel, depending on the camera / lens size. See figures 6 and 7.

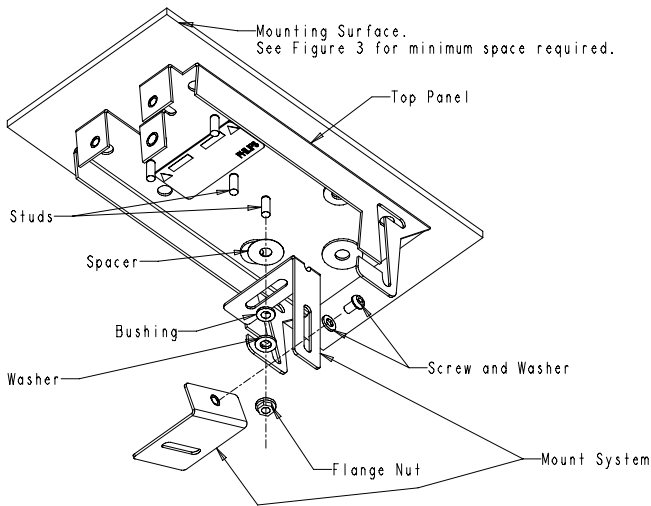


Figure 6: Installing the Mount System

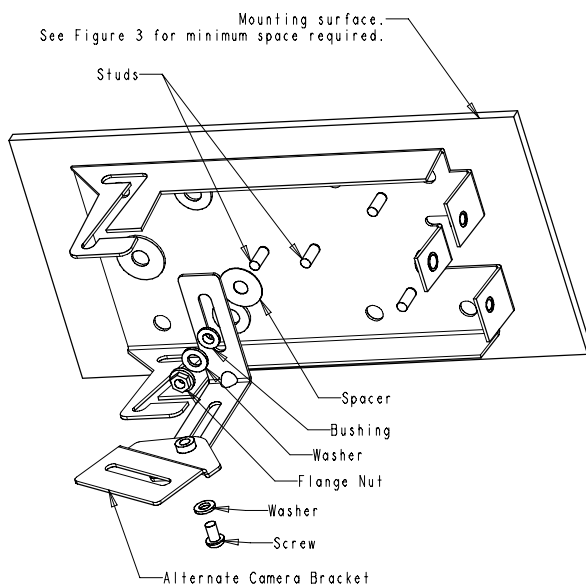


Figure 7: Securing the Mount System with Alternate Bracket

- Secure the camera to the mount using the 1/4-20 x 1/2 inch button-head flange screw provided in the hardware kit. See figures 8, 9 and 10.

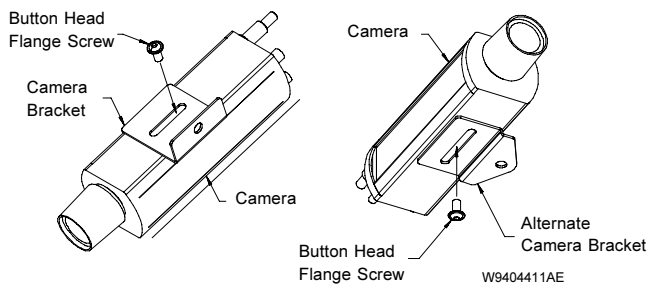


Figure 8: Camera Mounts

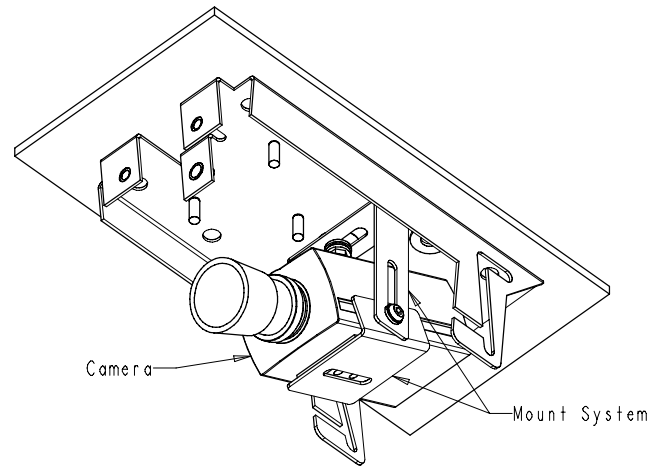


Figure 9: Camera and Mount System

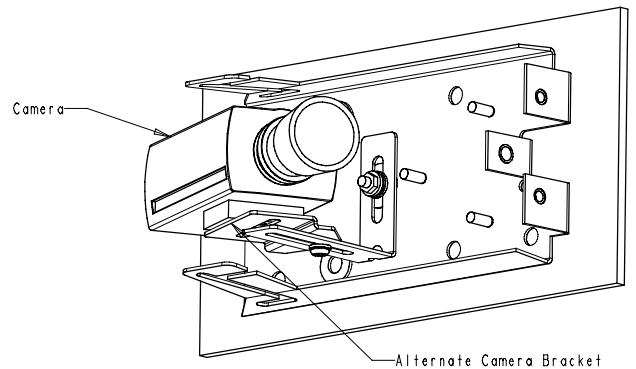


Figure 10: Camera Mounted with Alternate Bracket to a Wall

5.4 Final Assembly

- Mount the cover by aligning the two studs near the rear of the cover with the openings of the z-shaped slots in the top panel. Slide the cover to the rear, then upward and finally to the rear again. Tighten tamper-resistant screw or lock with key. See figure 11.

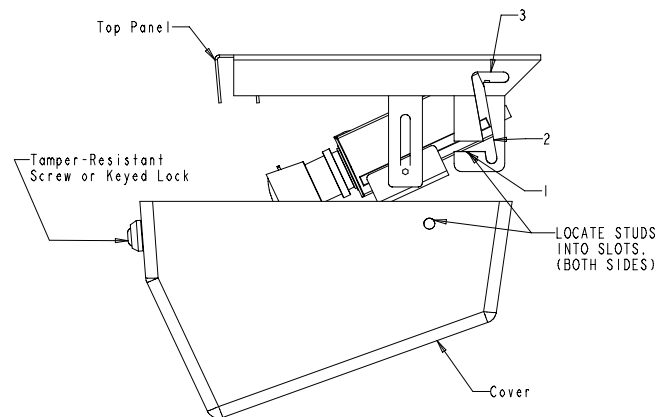


Figure 11: Installing the Cover

2. Inspect the alignment of the camera / lens in the unit. The camera / lens should be placed as close to the viewing window as possible. Remove the cover and make adjustments as needed and then replace the cover.
3. Secure the cover by turning either the tamper-resistant screw (using the drive tool supplied) or the keyed lock (using the key supplied) clockwise until the cover is in tight contact with the top panel.

Note: Save the drive tool or the key for future use.

4. For installations where the unit is mounted to the ceiling, the top cover may be hinged open for servicing or adjusting the camera / lens. Simply allow the two studs in the rear of the cover to rest in the bottom of the z-slots in the top panel.

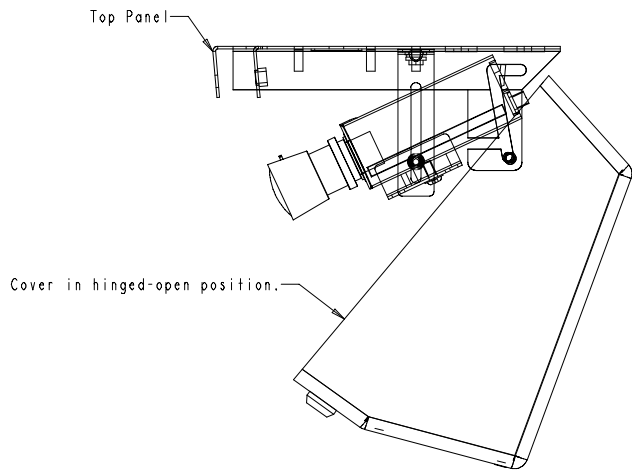


Figure 12: Cover Hinged Open



WARNING! - Do not use the hinge feature when the unit is mounted to a wall, the cover may fall from the top panel.

SECURITE

	ATTENTION RISQUE DE CHOC ELECTRIQUE. NE PAS OUVRIR.	
DANGER: POUR ÉVITER TOUT RISQUE D'ÉLECTROCUTION, NE PAS OUVRIR LE BOÎTIER. IL N'Y A PAS DE PIÈCES REMPLAÇABLES À L'INTÉRIEUR. POUR TOUTE RÉVISION, S'ADRESSER À UN TECHNICIEN SPÉCIALISÉ.		

En raison de limitation de place, cette étiquette peut être placée sur le dessous de l'appareil.



L'éclair fléché dans un triangle équilatéral, avertit l'utilisateur de la présence d'une "tension dangereuse" non isolée à l'intérieur de l'appareil et d'une valeur suffisante pour constituer un risque d'électrocution.



Le point d'exclamation contenu dans un triangle équilatéral, avertit l'utilisateur de la présence, dans la documentation qui accompagne l'appareil, de consignes d'utilisation et de maintenance importantes.

ATTENTION
POUR ÉVITER LE RISQUE D'ÉLECTROCUTION OU D'INCENDIE, NE PAS EXPOSER À LA PLUIE OU À L'HUMIDITÉ UN APPAREIL NON CONÇU POUR UNE UTILISATION EXTÉRIEURE.

TABLE DES MATIERES

1	DEBALLAGE2.3
2	MAINTENANCE2.3
3	ENTRETIEN ET MAINTENANCE2.3
4	DESCRIPTION2.3
5	INSTALLATION2.3
5.1	Démontage2.3
5.2	Montage de l'unité2.4
5.3	Installation du bloc caméra/objectif2.5
5.4	Montage final2.6

I DEBALLAGE

Déballez soigneusement le contenu de l'emballage. Il contient un équipement électromécanique qui doit être manipulé avec précaution.

Vérifiez que vous disposez des éléments suivants :

- Le numéro de référence de l'unité.
- Un kit matériel.
 - (1) Vis à tête demi-ronde ¼-20
 - (1) Outil de protection contre les effractions (modèles de base uniquement)
 - (1) Applique de fixation amovible de la caméra
 - (1) Clé (modèles avec verrouillage uniquement)

Si l'un des éléments semble avoir été endommagé lors du transport, remettez-le dans son carton d'emballage et avertissez le transporteur. Si l'un des éléments manque, contactez votre représentant ou votre service clientèle Philips Communication & Security Systems.

Aucun container n'est mieux adapté que le carton d'emballage pour transporter l'unité. Nous vous conseillons donc de le conserver. Vous pourriez en avoir besoin ultérieurement.

2 MAINTENANCE

Veillez contacter le service de maintenance Philips Communication & Security Systems le plus proche de votre domicile pour assurer la maintenance ou la réparation de l'unité. Vous obtiendrez une autorisation et toutes les informations utiles sur le renvoi du produit.

3 ENTRETIEN ET MAINTENANCE

Cette unité n'intègre aucune pièce détachée. Une maintenance régulière permet d'en prolonger la durée de vie. Nettoyez la fenêtre au moyen d'un chiffon doux et d'un produit d'entretien non abrasif dilué dans de l'eau.

4 DESCRIPTION

Les boîtiers de protection LTC 9405 pour montage mural ou sur plafond ont été notamment conçus pour assurer la surveillance des prisons, des parkings ou des garages et des hôpitaux. Cependant, ils s'adaptent parfaitement à toutes les applications nécessitant la mise en place d'un système de vidéosurveillance en circuit fermé.

D'un encombrement réduit de 279 x 165 x 140 mm, les LTC 9405 prennent en charge des blocs caméra/objectif aux dimensions maximales suivantes : 190 (l) x 68 (d) x 68 (h) mm.

Grâce à leur conception ultra-légère en aluminium fondu, les boîtiers LTC 9405 sont d'une résistance équivalente à un acier de calibre 10 supérieure au ratio pondéré de l'aluminium et bénéficient ainsi d'une protection et d'une solidité optimales. La fenêtre de visualisation standard est conçue en polycarbonate transparent de 9,5 mm et recouvert d'une couche anti-abrasive. Le capot amovible, fixé au moyen d'une seule vis captive anti-effraction, permet d'accéder à la caméra. Un outil spécial (fourni) permet de l'ouvrir ou de le fermer en vissant ou dévissant la vis. Lors de l'entretien ou du réglage de la caméra, il est nécessaire de retirer complètement le capot. Dans le cadre d'un montage sur plafond, cependant, il doit rester attaché au panneau de montage supérieur au moyen des pitons de fixation.

Ces boîtiers attrayants sont conçus pour un montage mural, à l'horizontale ou à la verticale, et sur plafond. Vous disposez en option d'un verrou situé sur le panneau d'accès et d'une fenêtre de visualisation transparente de 12,7 mm.

5 INSTALLATION



Seul un technicien qualifié est habilité à installer cette unité, conformément aux normes électriques en vigueur dans votre pays.

Outils requis :

- Clé à vis 5/32".
- Clé à vis 10 mm.

5.1 Démontage

1. Retirez le kit matériel du carton d'emballage.
2. Pour retirer la vis anti-effraction située sur le panneau avant du capot des modèles LTC 9405/00 et 9405/03, vous devez utiliser l'outil spécial correspondant. Veuillez vous référer à la figure 1.

Pour ouvrir le verrou situé sur le panneau avant du capot des modèles LTC 9405/01 et 9405/05, vous devez utiliser la clé correspondante. Veuillez vous référer à la figure 1.

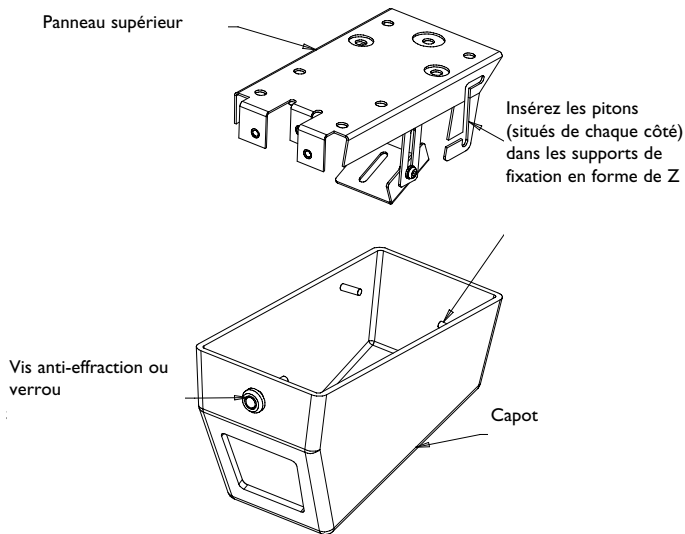


Figure 1 : Retrait du capot

3. Quel que soit le modèle, retirez la vis ou ouvrez le verrou afin de dégager le panneau avant du capot du panneau supérieur.
4. Placez l'unité sur un plan de travail ou une table et immobilisez le capot. Retirez le panneau supérieur en le tenant fermement et en le tirant vers l'arrière, en le soulevant vers le haut sur environ 51 mm, puis en le tirant de nouveau vers l'arrière jusqu'à ce que les supports de fixation soient totalement dégagés des pitons correspondant situés sur le capot.
5. Dévissez l'écrou, puis retirez le support de montage de la caméra du panneau supérieur. Veuillez vous référer à la figure 2. Ne perdez aucun éléments, vous en aurez besoin pour remettre la caméra en place et remonter l'unité.

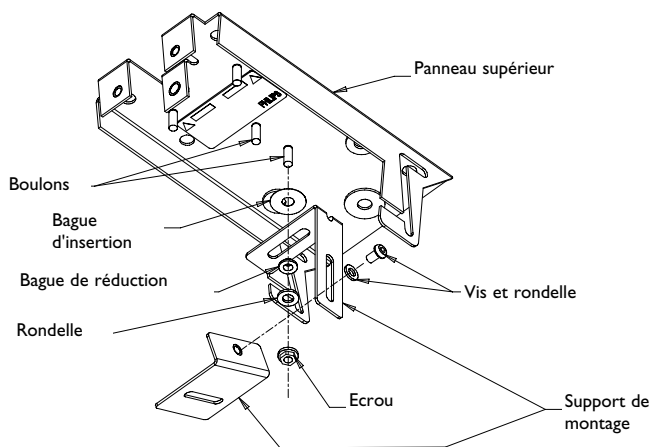


Figure 2 : Retrait du système de montage

5.2 Montage de l'unité

1. Placez le panneau supérieur sur le plafond ou le mur, à l'horizontale ou à la verticale, en fonction des exigences requises par votre installation (figure 3). Pour que celle-ci soit correcte, choisissez de préférence une surface plane et lisse. Veuillez noter l'espace minimum requis en vous référant à la figure 3.



AVERTISSEMENT - N'utilisez pas le système de supports de fixation en forme de Z/pitons lorsque vous montez l'unité sur un mur. En effet, le capot pourrait se détacher du panneau supérieur.

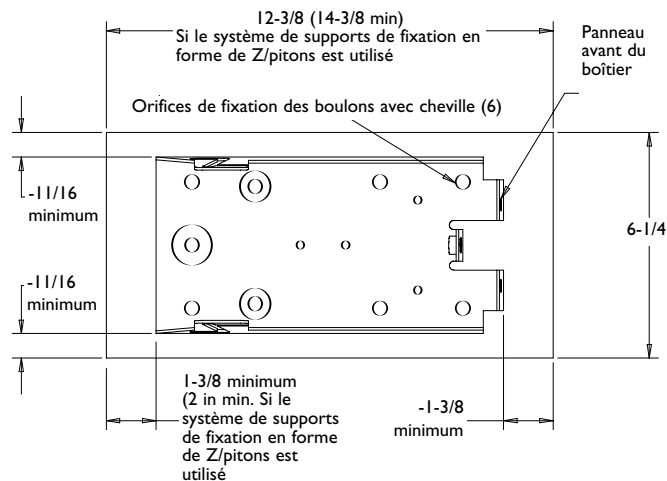


Figure 3 : Installation du panneau supérieur

2. Marquez l'emplacement des boulons sur la surface de montage au moyen des orifices situés sur le panneau supérieur. Vous devez utiliser au moins quatre boulons de 8 mm. Nous vous recommandons cependant d'en utiliser six.
3. Percez les trous et installez les chevilles appropriées à la surface de montage.
4. Déterminez l'acheminement des câbles jusqu'à l'unité. Cette dernière intègre deux parois amovibles permettant le passage d'un câble d'1/2" et une paroi amovible de 3/4". Veuillez vous référer à la figure 4.

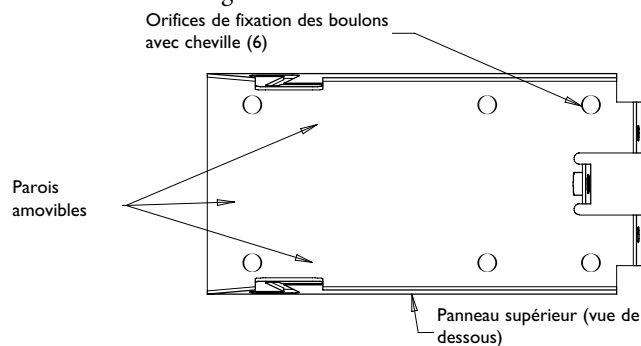


Figure 4 : Orifices pour boulons et parois amovibles

5. Fixez le panneau supérieur au moyen des boulons et acheminez les câbles.

5.3 Installation du bloc caméra/objectif

1. Si dans le cadre d'une installation murale la caméra doit être montée horizontalement, retirez le support de fixation de la caméra du support de montage, puis installez l'applique de fixation amovible de la caméra fournie dans le kit matériel. Veuillez vous référer à la figure 5.

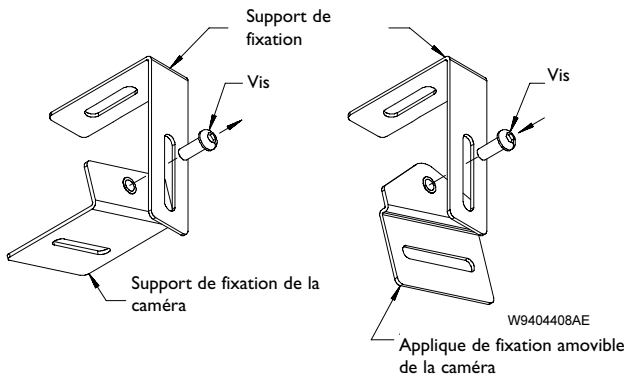


Figure 5 : Applique de fixation amovible de la caméra

2. Fixez le support de montage de la caméra au panneau supérieur en utilisant les mêmes éléments que ceux que vous avez ôtés lors de l'étape 5 de la section 5.1. Choisissez l'un des deux boulons situés à peu près au centre du panneau en fonction de la taille du bloc caméra/objectif. Veuillez vous référer aux figures 6 et 7.

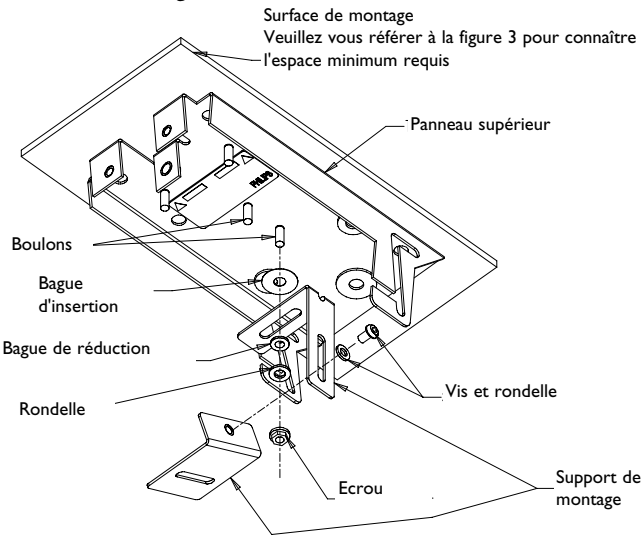


Figure 6 : Installation du support de montage

Surface de montage
Veuillez vous référer à la figure 3 pour connaître l'espace minimum requis

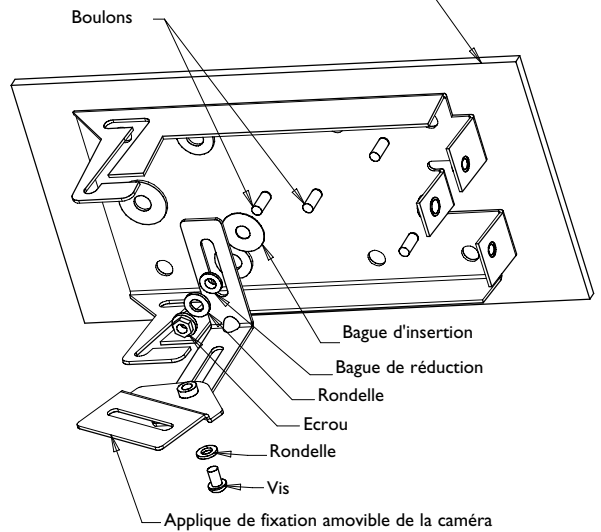


Figure 7 : Fixation du support de montage doté d'un support de fixation amovible

3. Fixez solidement la caméra au support au moyen de la vis à tête demi-ronde 20¼ x ½" fournie dans le kit matériel. Veuillez vous référer aux figures 8, 9 et 10.

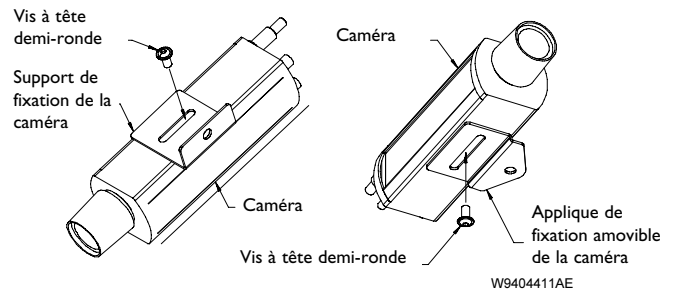


Figure 8 : Fixation de la caméra

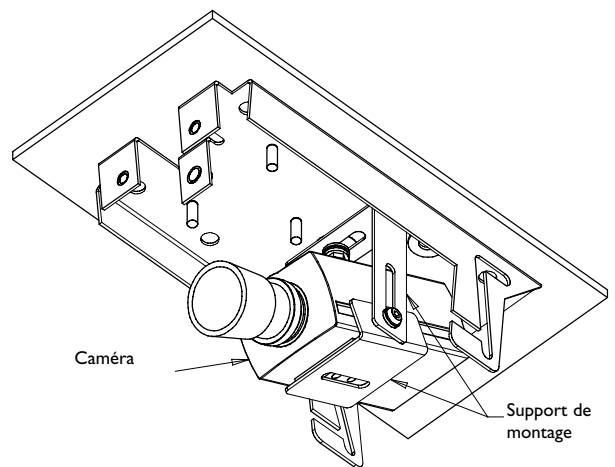


Figure 9 : Caméra et support de fixation

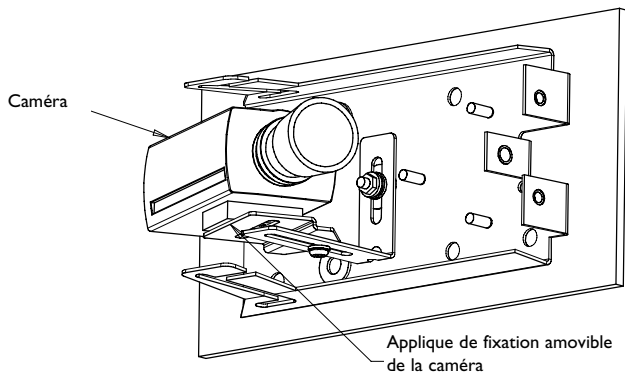


Figure 10 : Montage mural d'une caméra fixée sur un support amovible

5.4 Montage final

1. Remettez le capot en place en alignant les deux pitons situés à l'arrière du capot avec les ouvertures des supports de fixation en forme de Z situés sur le panneau supérieur. Faites glisser le capot vers l'arrière, puis vers le haut et enfin vers l'arrière. Fixez la vis anti-effraction ou ouvrez le verrou au moyen de la clé. Veuillez vous référer à la figure 11.

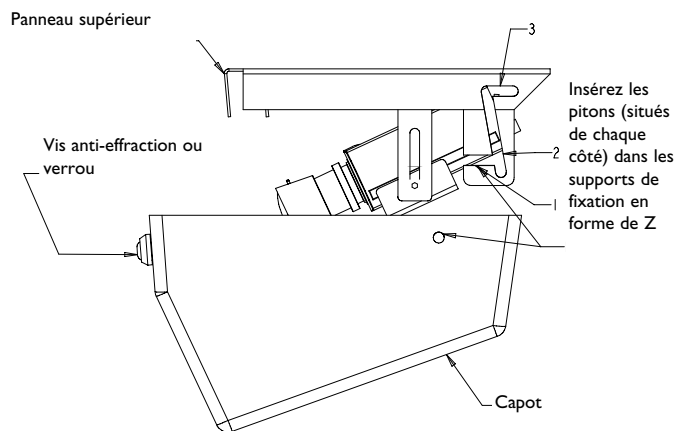


Figure 11 : Installation du capot

2. Vérifiez que le bloc caméra/objectif est correctement positionné à l'intérieur de l'unité. Il doit se trouver aussi près que possible de la fenêtre de visualisation. Retirez le capot et effectuez les réglages nécessaires, puis remettez le capot en place.
3. Fixez le capot au moyen de la vis anti-effraction ou du verrou (en utilisant respectivement l'outil spécial ou la clé fourni) en tournant dans le sens des aiguilles d'une montre jusqu'à ce que le capot soit fermement maintenu au niveau du panneau supérieur.

Remarque : Conservez l'outil spécial ou la clé. Vous pourriez en avoir besoin ultérieurement.

4. Lorsque l'unité est montée au plafond, vous ne devez ouvrir que la partie supérieure du capot pour entretenir et régler le bloc caméra/objectif. Pour ce faire, faites glisser le capot jusqu'à ce que les deux pitons se retrouvent dans le renforcement situé dans la partie inférieure du support en forme de Z du panneau supérieur.



AVERTISSEMENT - N'utilisez pas le système de supports de fixation en forme de Z/pitons lorsque vous montez l'unité sur un mur. En effet, le capot pourrait se détacher du panneau supérieur.

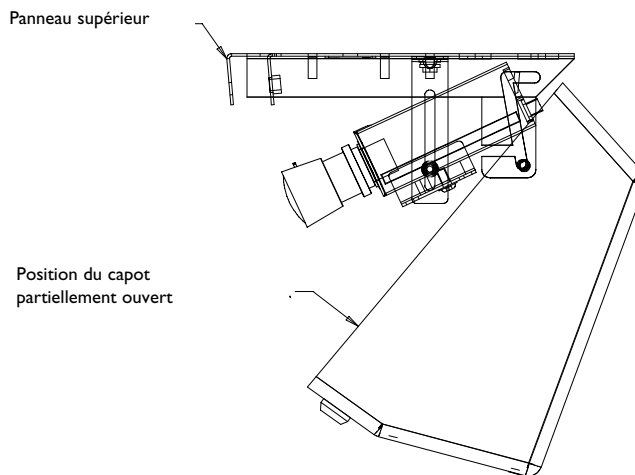


Figure 12 : Ouverture partielle du capot

SICHERHEITSVORKEHRUNGEN



VORSICHT

RISIKO EINES ELEKTRISCHEN
SCHLAGES NICHT ÖFFNEN!



VORSICHT: UM EINEN ELEKTRISCHEN SCHLAG ZU VERMEIDEN, ABDECKUNG NICHT ENTFERNEN. WARTUNGEN ALLER ART QUALIFIZIERTEM PERSONAL ÜBERLASSEN.

Aus Platzgründen kann diese Warnung auf der Unterseite des Gerätes angebracht sein.



Das Blitzsymbol im gleichseitigen Dreieck soll den Benutzer auf nicht isolierte "Hochspannung" im Gehäuse aufmerksam machen, die eventuell stark genug ist, um einen elektrischen Schlag zu verursachen.



Das Ausrufezeichen im gleichseitigen Dreieck soll den Benutzer auf wichtige Bedienungs- und Wartungsanleitungen in der dem Gerät beigelegten Literatur aufmerksam machen.

**WARNUNG
UM FEUER ODER ELEKTRISCHE SCHLÄGE ZU VERMEIDEN, SETZEN SIE DAS GERÄT NIEMALS REGEN ODER FEUCHTIGKEIT AUS.**

INHALT

1	AUSPACKEN	3.3
2	SERVICE	3.3
3	WARTUNG	3.3
4	BESCHREIBUNG	3.3
5	INSTALLATION	3.3
5.1	Demontage	3.3
5.2	Montage der Einheit	3.4
5.3	Installation der Kamera/Linse	3.5
5.4	Endmontage	3.6

I AUSPACKEN

Vorsichtig auspacken. Dies ist ein elektromechanisches Gerät und sollte vorsichtig behandelt werden.

Überprüfen Sie die folgenden Dinge:

- Modellnummer des Geräts.
- Zubehörsatz.
 - (1) ¼-20 Halbrundkopf-Flanschschraube
 - (1) Gegen unbefugtes Verstellen gesichertes Werkzeug (nur Grundmodelle)
 - (1) Wechsel-Kameraschiene
 - (1) Schlüssel (nur für Modelle mit Verriegelung)

Sollte einer der Posten beim Versand beschädigt worden sein, verpacken Sie ihn entsprechend wieder in seinem Karton und informieren Sie den Spediteur. Sollte ein Posten fehlen, informieren Sie Ihren Philips Communication & Security Systems Vertriebsverantwortlichen oder den Kundenservice.

Der Versandkarton ist der sicherste Behälter, in dem das Gerät transportiert werden kann. Heben Sie ihn für den späteren Gebrauch auf.

2 SERVICE

Sollte das Gerät repariert werden müssen, sollte der Kunde das nächste Philips Communication & Security Systems Service Center für die Retourogenehmigung und Versandanweisungen kontaktieren.

3 WARTUNG

In diesem Gerät gibt es keine beweglichen Teile. Regelmäßige Wartung hilft, die Betriebsdauer des Gerätes zu verlängern. Reinigen Sie das Sichtfenster, falls erforderlich, mit einem milden, nicht-schleifenden und in Wasser gelösten Waschmittel und einem sauberen Lappen.

4 BESCHREIBUNG

Bei der Serie LTC 9405 handelt es sich um wand- oder deckenmontierte Sicherheitsgehäuse für Anwendungsgebiete wie z.B. Gefängnisse, Parkhäuser oder Krankenhäuser. Diese Gehäuse sind ideal für alle Anwendungen, die eine sichere Video-Überwachung verlangen.

LTC 9405 hat eine Größe von 279 mm x 165 mm x 140 mm). Die Gehäuseserie LTC 9405 ermöglicht die Kombination von Kameralinsen von bis zu 190 x 68 x 68 mm (L x W x H).

Maximaler Schutz und maximale Lebensdauer des leichten Gehäuses aus Aluminiumguß der Reihe LTC 9405 werden gewährleistet durch ein sehr günstiges Festigkeits-Gewichts-Verhältnis, wobei Werte erreicht werden, die der Festigkeit von Stahl mit einem Reißmaß von 10 entsprechen. Das standardmäßig vorhandene Sichtfenster besteht aus 9,5 mm dickem durchsichtigem Polycarbonat und ist durch eine spezielle Beschichtung vor Verkratzung geschützt. Die abnehmbare Abdeckung, ermöglicht den Zugang zur Kamera und ist durch eine gegen unbefugtes Verstellen gesicherte, unverlierbare Schraube gesichert. Für das Drehen der Schraube zum Öffnen oder Schließen der Abdeckung wird ein spezielles Werkzeug mitgeliefert. Während der Kamerawartung bzw. -einstellung kann die Abdeckung vollständig entfernt werden oder (im Fall einer Deckenmontage) in der dafür vorgesehenen Schwenkvorrichtung eingehängt bleiben, die sich an der Befestigungsplatte befindet.

Die Gehäuse in attraktivem Design wurden zur Deckenmontage, oder vertikalen bzw. horizontalen Wandmontage konzipiert. Optional sind sie als zugangsseitig abschließbare Ausführung und mit Sichtfenster von 12,7 mm Stärke erhältlich.

5 INSTALLATION



Die Installation sollte von qualifiziertem Service-Personal und gemäß anwendbarer lokaler Standards vorgenommen werden.

Benötigte Werkzeuge.
Innensechskantschlüssel - 5/32-Zoll.
Schraubenschlüssel- 10 mm.

5.1 Demontage

1. Nehmen Sie den Zubehörsatz aus dem Lieferkarton.
2. Bei den Modellen LTC 9405/00 und 9405/03 ist zum Lösen der gegen unbefugtes Verstellen gesicherten Schraube an der Vorderseite der Abdeckung das mitgelieferte Spezialwerkzeug erforderlich. Siehe Abbildung 1.

Bei den Modellen LTC 9405/01 und 9405/05 kann die Abdeckung nur mit dem Schlüssel geöffnet werden, der zum an der Vorderseite befindlichen Schloß paßt. Siehe Abbildung 1.

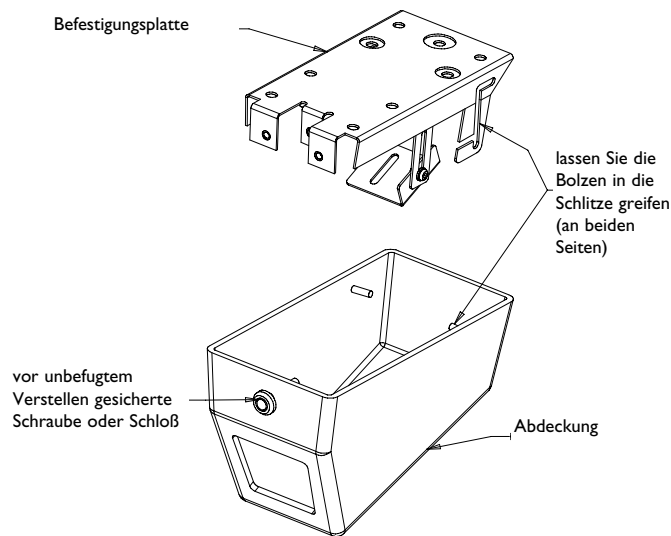


Abb. 1: Entfernen der Abdeckung

- Gilt für alle Modelle: Lösen Sie die Schraube bzw. Verriegelung, so daß sich die Vorderseite der Abdeckung von der Befestigungsplatte löst.
- Legen Sie das Gerät auf eine flache, standfeste Werkbank oder einen Tisch. Entfernen Sie die Befestigungsplatte, indem Sie sie nach hinten und dann 50 mm nach oben ziehen, um sie dann wieder zurückzuschieben, bis die Schlitze die Zapfen in der Abdeckung freigeben.
- Lösen Sie die Bundmutter und entfernen Sie die Montagevorrichtung für die Kamera von der Befestigungsplatte. Siehe Abbildung 2. Bewahren Sie die Teile gut auf, da sie später für die Installation der Kamera und den erneuten Zusammenbau der Einheit benötigt werden.

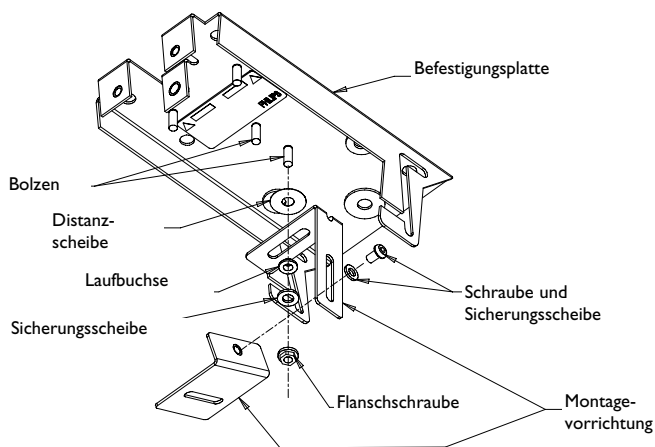


Figure 2: Entfernen der Montagevorrichtung

5.2 Montage der Einheit

- Positionieren Sie die Befestigungsplatte an der Decke oder Wand, (je nach Anforderung horizontal oder vertikal). Siehe Abbildung 3. Die Installation erfolgt idealerweise auf glatten, ebenen Oberflächen. Beachten Sie den in Abbildung 3 dargestellten Mindestplatzbedarf.



WARNHINWEIS! - Verwenden Sie bei der Wandmontage keinesfalls die Schwenkvorrichtung. Die Abdeckung könnte ansonsten von der Befestigungsplatte fallen.

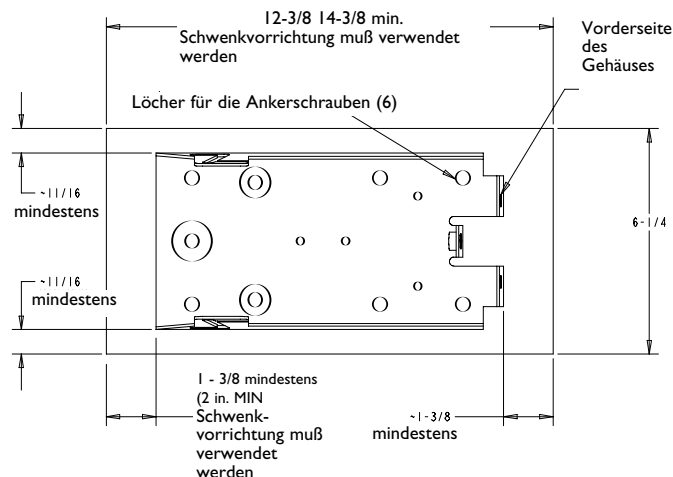


Abbildung 3: Positionierung der Befestigungsplatte

- Benutzen Sie die Löcher in der Befestigungsplatte als Vorlage, um die Bohrungen für die Ankerschrauben an der Wand bzw. Decke zu markieren. Es werden mindestens vier 8-mm Ankerschrauben benötigt. Empfohlen sind sechs Schrauben.
- Bohren Sie die Löcher und setzen Sie die Anker. Berücksichtigen Sie dabei das Material, aus dem die Montagefläche besteht.
- Entscheiden Sie wie die Kabelzuführung verlaufen soll. Das Gehäuse verfügt über zwei Aussparungen für Kabel mit einem Durchmesser von 1,27 cm und eine Aussparung für einen Kabel mit einem Durchmesser von 1,9 cm. Siehe Abbildung 4.

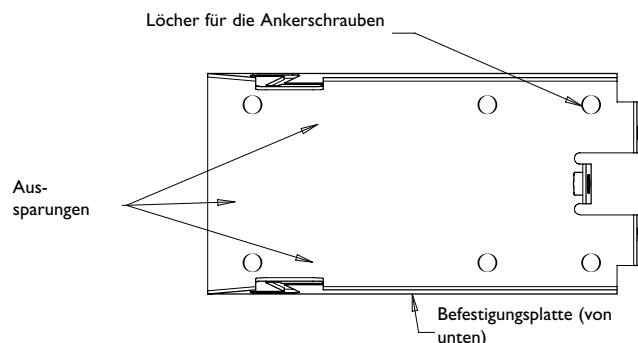


Abbildung 4: Bolzenlöcher und Aussparungen

- Montieren Sie die Befestigungsplatte mit Hilfe der Schrauben und legen Sie den Verlauf der Kabel fest.

5.3 Installation der Kamera/Linse

1. Falls es erforderlich ist, die Kamera horizontal an der Wand zu installieren, müssen die Kameraschienen der Installationsvorrichtung entfernt und gegen die im Zubehörset befindliche Kameraschiene ausgetauscht werden. Siehe Abbildung 5.

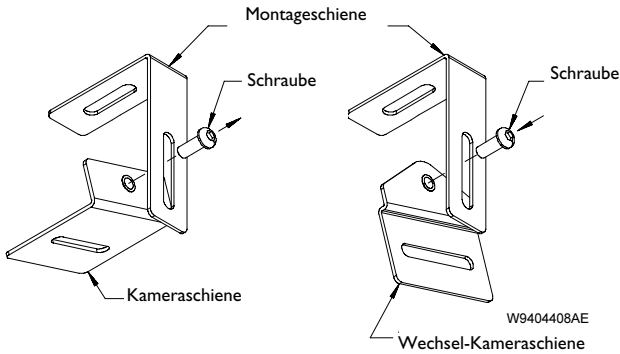


Abbildung 5: Von vertikaler Kamerainstallation auf horizontale Installation wechseln

2. Befestigen Sie die Kamera-Installationsvorrichtung wieder an der Befestigungsplatte. Benutzen Sie dafür dieselben Komponenten, die Sie zuvor, wie in Schritt 5; Abschnitt 5.1 beschrieben, entfernt haben. In der Mitte der Befestigungsplatte befinden sich zwei Aufnahmebolzen, von denen Sie jeweils den Bolzen auswählen, der der Größe der eingesetzten Kamera/Linse entspricht. Siehe Abbildungen 6 und 7.

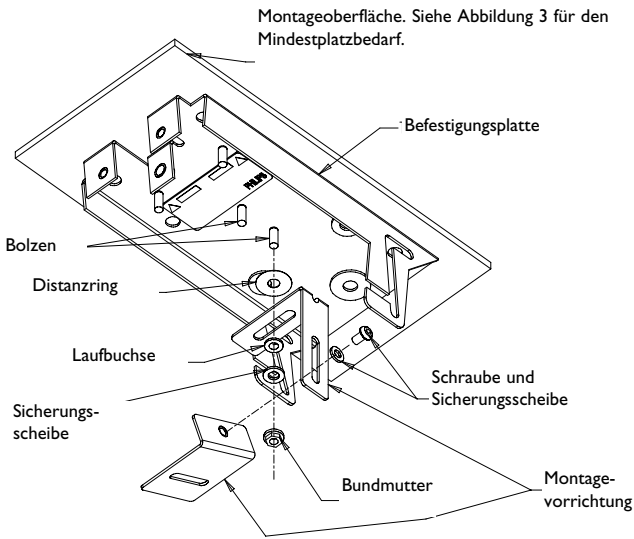


Abbildung 6: Befestigen der Installationsvorrichtung

Montageoberfläche. Siehe Abbildung 3 für den Mindestplatzbedarf.

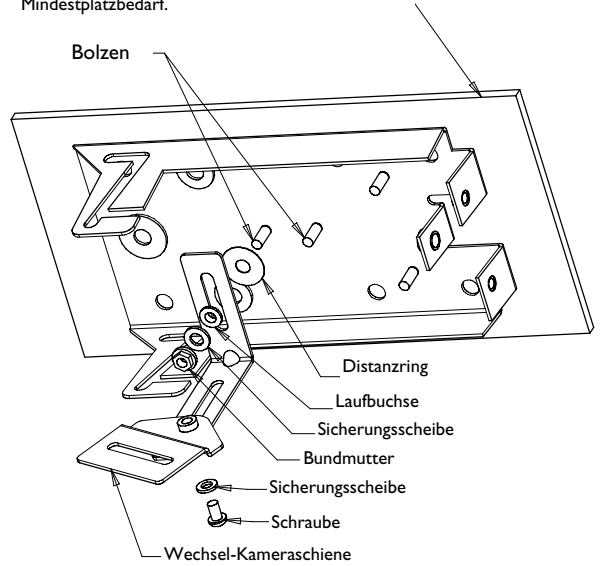


Abbildung 7: Sichern der Installationsvorrichtung durch die dem Zubehörset beiliegende Schiene

3. Sichern Sie die Kamera mit der 1/4-20 x 1/2 Zoll Halbrundkopf-Flanschschaube, die dem Zubehörset beiliegt. Siehe Abbildungen 8, 9 und 10.

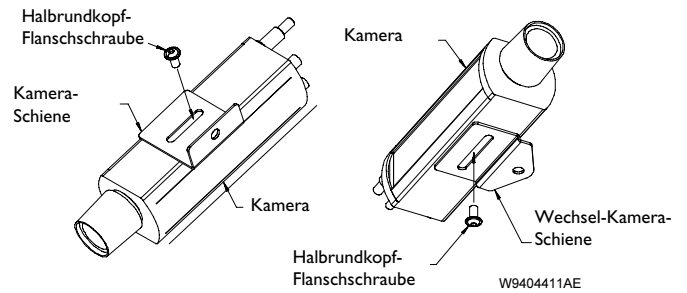


Abbildung 8: Aufnahmevorrichtung der Kamera

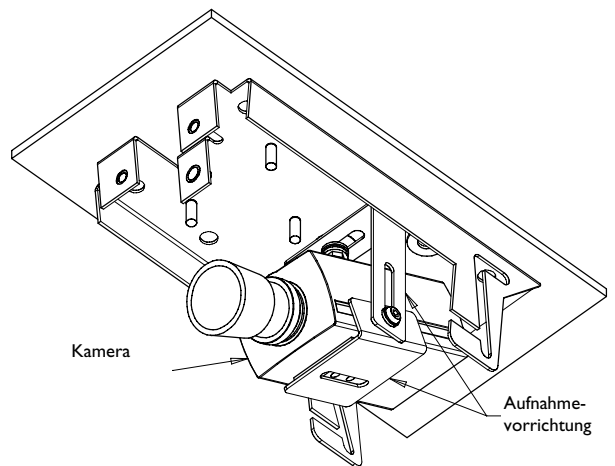


Abbildung 9: Kamera und Aufnahmevorrichtung

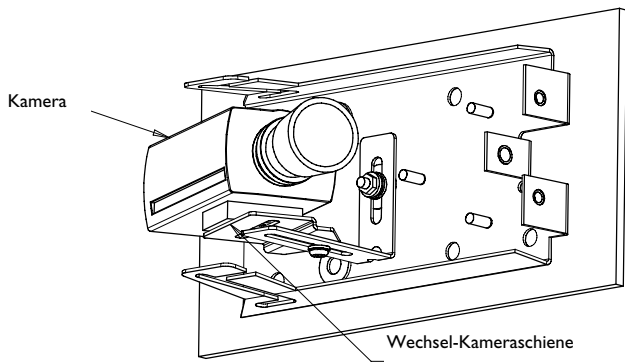


Abbildung 10: Kamera mit Wechselschiene an der Wand montiert

5.4 Endmontage

1. Bringen Sie die Abdeckung an. Dabei richten Sie die beiden Bolzen an der Rückseite der Abdeckung so aus, daß sie in die z-förmigen Schlitz in der Befestigungsplatte eingreifen können. Schieben sie die Abdeckung zuerst nach hinten, anschließend nach oben und dann wieder nach hinten. Befestigen Sie die gegen unbefugtes Verstellen gesicherte Schraube bzw. schließen Sie das Gehäuse mit dem dazugehörigen Schlüssel ab. Siehe Abbildung 11.

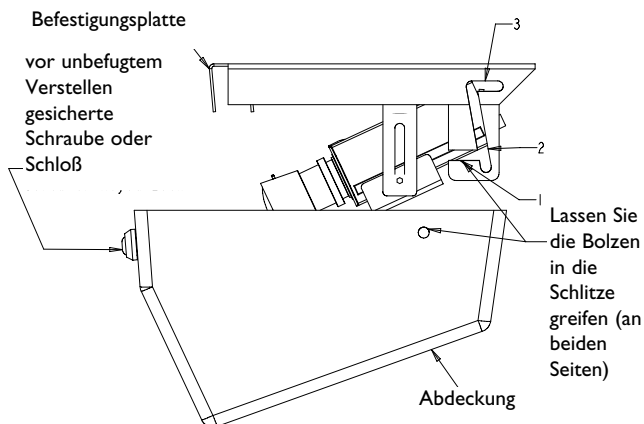


Abbildung 11: Installieren der Abdeckung

2. Überprüfen Sie die Ausrichtung der Kamera / Linse im Gehäuse. Die Kamera / Linse sollte so nah wie möglich am Sichtfenster plaziert sein. Falls erforderlich, entfernen Sie die Abdeckung, um die Kameraausrichtung zu korrigieren. Anschließend installieren sie die Abdeckung wieder.
3. Sichern sie die Abdeckung entweder durch Drehen der gegen unbefugtes Verstellen gesicherten Schraube (benutzen Sie dafür das mitgelieferte Spezialwerkzeug) oder den zum Schloß passenden mitgelieferten Schlüssel. Drehen Sie dabei im Uhrzeigersinn bis die Abdeckung dicht an der Befestigungsplatte anliegt.

Beachten: Bewahren Sie das Werkzeug und den Schlüssel für zukünftige Anwendungen gut auf.

4. Um Wartungs- oder Einstellarbeiten bei Kameras / Linsen in deckenmontierten Gehäusen vorzunehmen, reicht es, die Abdeckung lediglich abzuklappen. Die beiden Aufnahmebolzen auf der Rückseite der Abdeckung müssen dann in den z-förmigen Schlitz der Befestigungsplatte verharren.



WARNHINWEIS! - Verwenden Sie bei der Wandmontage keinesfalls die Schwenkvorrichtung. Die Abdeckung könnte ansonsten von der Befestigungsplatte fallen

Befestigungsplatte

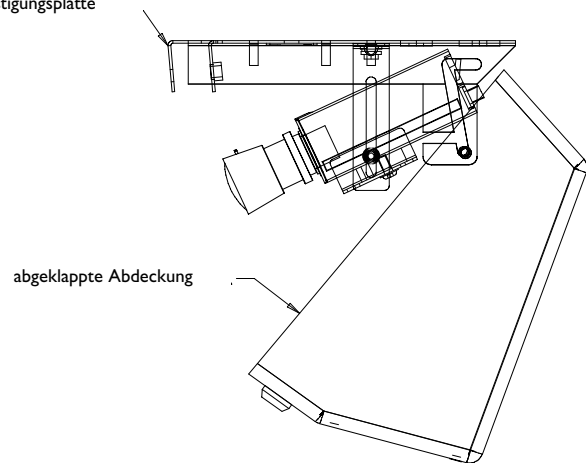


Abbildung 12: Abgeklappte Abdeckung

PRECAUCIONES DE SEGURIDAD

	PRECAUCION RIESGO DE CHOQUE ELECTRICO. ¡NO ABRIR!	
PRECAUCION: PARA REDUCIR EL RIESGO DE CHOQUE ELÉCTRICO, FAVOR NO ABRIR LA CUBIERTA. ESTE EQUIPO NO CONSTA DE PIEZAS O PARTES QUE REQUIEREN SERVICIO O MANTENIMIENTO. PARA REPARACIONES FAVOR REFERIRSE A UN TÉCNICO CALIFICADO.		

Debido a limitaciones de espacio, esta etiqueta puede aparecer en la parte inferior de la unidad.



El símbolo representado por un relámpago con punta de flecha dentro de un triángulo equilátero, se muestra con el objetivo de alertar al usuario que existen "voltajes peligrosos" sin aislamiento, dentro de la cubierta de la unidad. Dichos voltajes pueden ser de tal magnitud que constituyen un riesgo de choque eléctrico a personas.



El símbolo de exclamación dentro de un triángulo equilátero, se muestra con el objetivo de alertar al usuario de que instrucciones de operación y mantenimiento importantes acompañan al equipo.

**PELIGRO
PARA EVITAR EL PELIGRO DE INCENDIO Ó
CHOQUE ELÉCTRICO, NO EXPONGA A LA LLUVIA
Ó HUMEDAD, EQUIPOS QUE NO HAN SIDO
DISEÑADOS PARA USO EXTERIOR.**

CONTENIDO

1	DESEMBALAJE	4.3
2	SERVICIO	4.3
3	CUIDADO Y MANTENIMIENTO	4.3
4	DESCRIPCIÓN	4.3
5	INSTALACIÓN	4.3
5.1	Desmontaje	4.3
5.2	Montaje de la unidad	4.4
5.3	Instalación de cámara/lente	4.5
5.4	Montaje final	4.6

I DESEMBALAJE

Tenga precaución al desembalar. Se trata de un equipo electromecánico y debe manipularse cuidadosamente.

Compruebe que la caja contiene lo siguiente:

- Número de modelo de la unidad.
- Juego de hardware.
 - (1) Tornillo biselado de cabeza cilíndrica de ¼-20
 - (1) Herramienta blindada (sólo en los modelos básicos)
 - (1) Soporte de cámara alternativo
 - (1) Llave (sólo en los modelos con bloqueo)

Si alguno de los elementos parece haber sufrido daños durante el transporte, vuelva a embalarlo correctamente en su caja y póngase en contacto con el transportista. Si falta algún componente, notifíquelo a su distribuidor Philips Comunicaciones y Seguridad o al Servicio de atención al cliente.

La caja de envío es el contenedor más seguro en el que se puede transportar la unidad. Guárdela para posibles usos posteriores.

2 SERVICIO

En caso de que la unidad deba repararse, el cliente deberá ponerse en contacto con el Centro de servicios Philips Comunicaciones y Seguridad más cercano con el fin de obtener la autorización para la devolución y las instrucciones de envío.

3 CUIDADO Y MANTENIMIENTO

En esta unidad no existen piezas que puedan moverse. Un mantenimiento programado con regularidad ayudará a prolongar la vida útil de esta unidad. Limpie la ventana de visualización siempre que lo necesite con un detergente suave y no abrasivo mezclado con agua y un paño suave.

4 DESCRIPCIÓN

La serie LTC 9405 son carcasas de seguridad montadas sobre pared o techo, diseñadas para aplicaciones como prisiones, aparcamientos y hospitales. Estas carcasas resultan idóneas para cualquier aplicación que necesite una supervisión segura de TVCC.

LTC 9405 tiene un tamaño total de 279 mm x 165 mm x 140 mm (11 pulg x 6,5 pulg x 5,5 pulg). Las carcasas Serie LTC 9405 aceptan combinaciones de lentes de cámara de hasta 190 x 68 x 68 mm (7,5 x 2,7 x 2,7 pulg) (Longitud x anchura x altura).

Para obtener la máxima protección y duración, el diseño en aluminio fundido ligero de las carcasas Serie LTC 9405 proporciona la resistencia equivalente a 10 medidas de acero junto con la superior relación entre resistencia y peso del aluminio. La ventana de visualización estándar está fabricada en policarbonato transparente de 9,5 mm (0,37 pulg.), tratado con revestimiento de protección resistente a las rayaduras. La tapa desmontable proporciona acceso a la cámara y está asegurada con un único tornillo blindado y cautivo. Se suministra una herramienta especial para girar el tornillo para abrir o cerrar la cubierta. Durante la reparación o ajuste de la cámara, se puede retirar la tapa por completo o bien (si está montada en un techo) se puede dejar fijada al conjunto del panel superior utilizando las "ranuras con bisagras" suministradas.

Con una presentación atractiva, estas carcasas están diseñadas para montarlas en el techo, horizontalmente en la pared o verticalmente en la pared. Las opciones incluyen un cerradura en el panel de acceso y una ventana de visualización transparente de 12,7 mm (0,5 pulg).

5 INSTALACIÓN



La instalación debe llevarse a cabo por personal de servicio cualificado y cumplir el Código eléctrico nacional (National Electrical Code) y los códigos locales correspondientes.

Herramientas necesarias.

Llave Allen - 5/32 de pulgada.

Llave inglesa - 10 mm.

5.1 Desmontaje

1. Extraiga el juego de hardware de la caja de envío.
2. En los modelos LTC 9405/00 y 9405/03 necesitará utilizar la herramienta especial para desatornillar el tornillo blindado de la parte frontal de la tapa. Véase la figura 1.

En los modelos LTC 9405/01 y 9405/05 necesitará utilizar la llave para desatornillar la cerradura de la parte frontal de la tapa. Véase la figura 1.

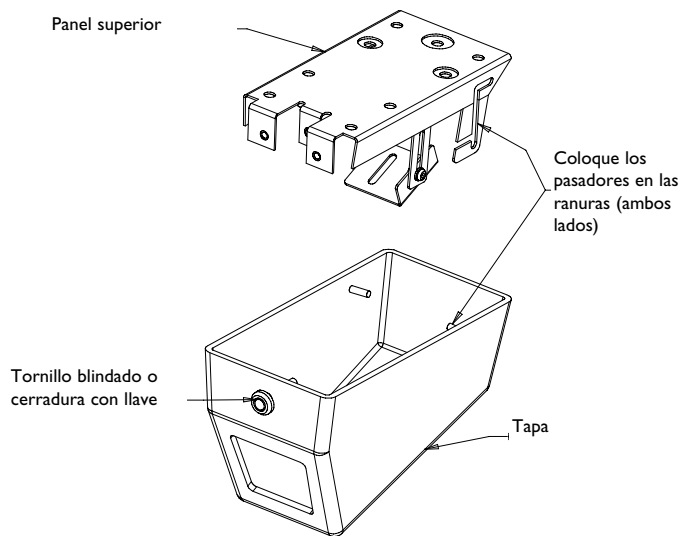


Figura 1: Extracción de la tapa

- Para todos los modelos, desatornille el tornillo o la cerradura hasta que la tapa se libere del panel superior.
- Con la unidad sobre un banco de trabajo o una mesa, mantenga la tapa fija. Extraiga el panel superior sujetándolo y tirando hacia atrás y hacia arriba una distancia de 51 mm (2 pulg) aproximadamente y, por último, hacia atrás de nuevo hasta que las ranuras del panel superior se suelten de los pasadores de la tapa.
- Desatornille la tuerca biselada y extraiga el sistema de montaje de la cámara del panel superior. Véase la figura 2. No pierda las piezas, las necesitará para montar la cámara y ensamblar de nuevo la unidad.

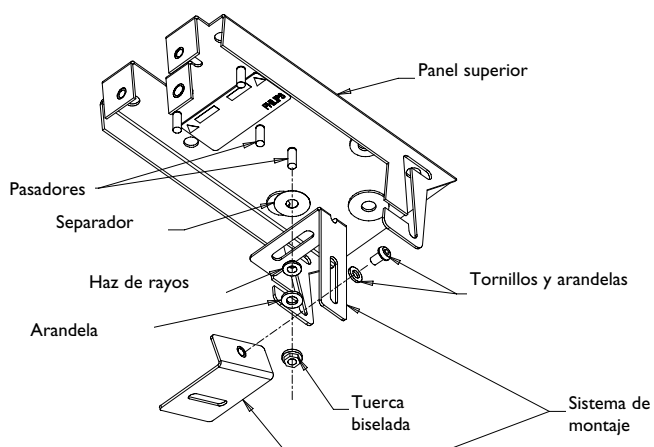


Figura 2: Extracción del sistema de montaje

5.2 Montaje de la unidad

- Coloque el panel superior en el techo o la pared, en horizontal o vertical, en función de los requisitos de instalación. Véase la figura 3. Una superficie plana y lisa es idónea para una instalación correcta. Tenga en cuenta los requisitos mínimos de espacio mostrados en la figura 3.



ADVERTENCIA: - No utilice la característica de bisagras cuando monte la unidad en una pared. La tapa puede caerse del panel superior.

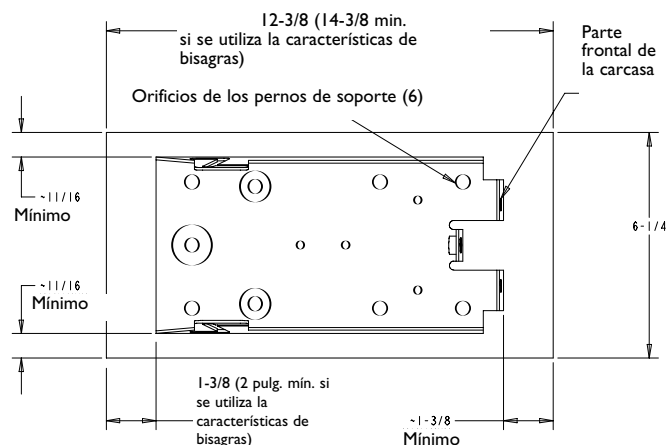


Figura 3: Colocación del panel superior

- Marque las ubicaciones de los pernos de soporte en la superficie de montaje utilizando como plantilla los orificios del panel superior. Se necesitarán como mínimo cuatro pernos de soporte de 8 mm (5/16 de pulgada). Se recomienda utilizar seis pernos.
- Taladre los orificios e instale los soportes en función del tipo de superficie de montaje.
- Decida cómo va a tender el cableado hacia la unidad. Se suministran dos extractores para el conducto de 1/2 pulgada y un extractor para el conducto de 3/4 de pulgada. Véase la figura 4.

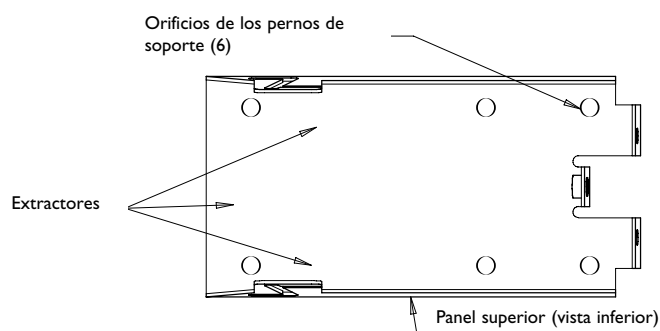


Figura 4: Orificios de pernos y extractores

- Monte el panel superior utilizando los pernos y tienda el cableado.

5.3 Instalación de cámara/lente

1. Si la instalación necesita que la cámara esté montada horizontalmente en la pared, extraiga el soporte de la cámara del sistema de montaje e instale el soporte de cámara alternativo suministrado en el juego de hardware. Véase la figura 5.

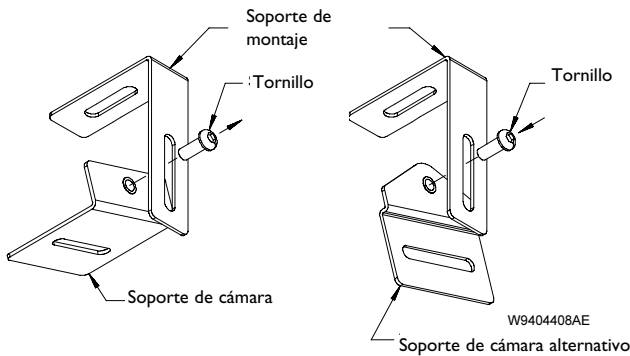


Figura 5: Montaje de cámara alternativo

2. Vuelva a fijar el sistema de montaje de la cámara al panel superior utilizando el mismo hardware que se extrajo en el paso 5 de la sección 5.1. Utilice una de los dos pasadores situados cerca del centro del panel, en función del tamaño de la cámara o la lente. Véanse las figuras 6 y 7.

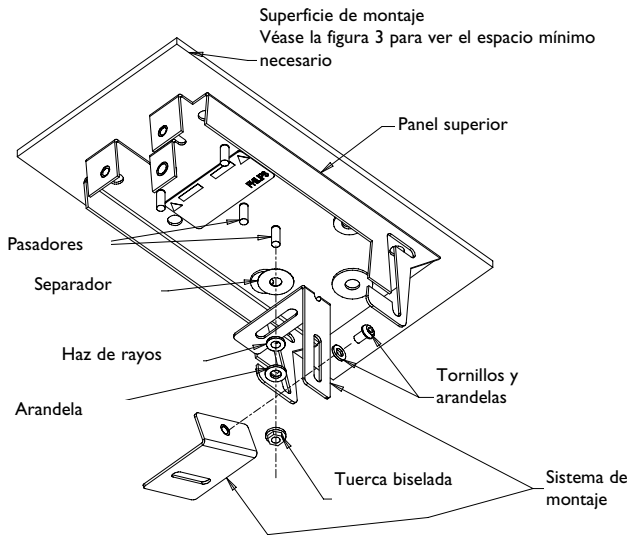


Figura 6: Instalación del sistema de montaje

Superficie de montaje
Véase la figura 3 para ver el espacio mínimo necesario

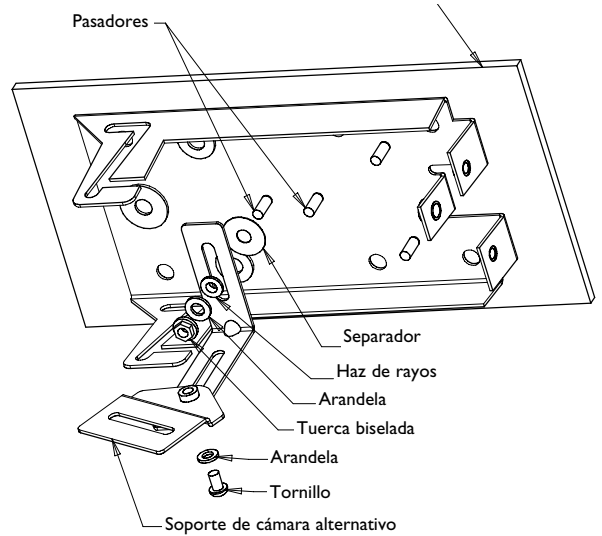


Figura 7: Fijación del sistema de montaje con el soporte alternativo

3. Fije la cámara al montaje utilizando el tornillo biselado de cabeza cilíndrica de ¼-20 x ½ pulgada suministrado en el juego de hardware. Véanse las figuras 8, 9 y 10.

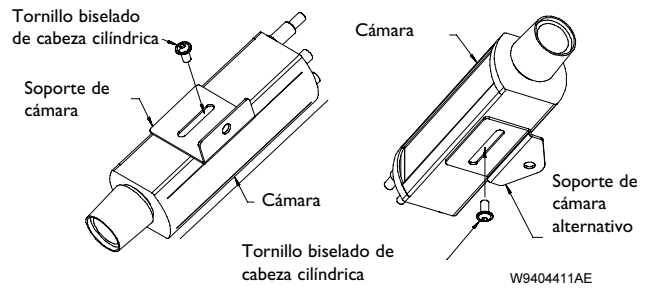


Figura 8: Montajes de la cámara

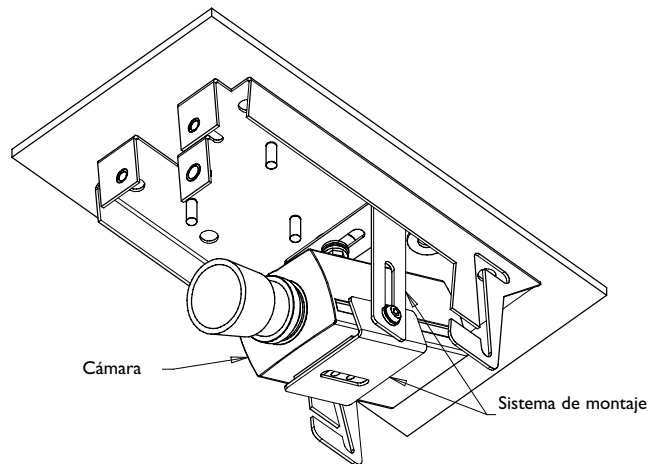


Figura 9: Cámara y sistema de montaje

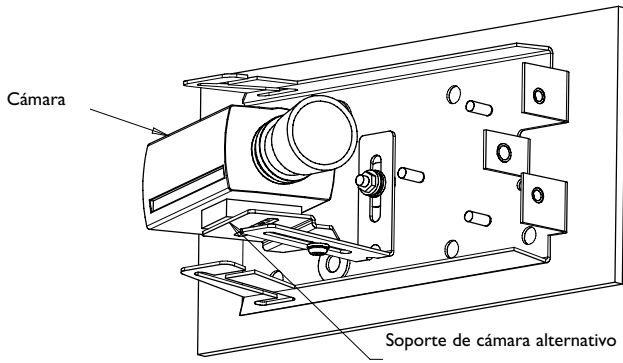


Figura 10: Cámara montada en una pared con el soporte alternativo



ADVERTENCIA: - No utilice la característica de bisagras cuando monte la unidad en una pared, la tapa puede caerse del panel superior.

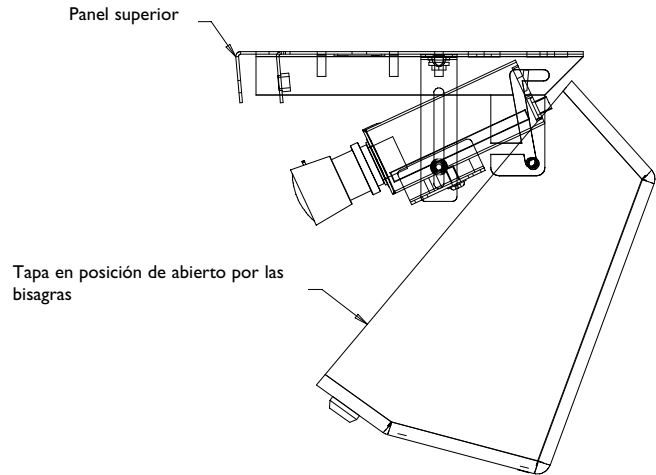


Figura 12: Tapa abierta por las bisagras

5.4 Montaje final

1. Monte la tapa alineando los dos pasadores cercanos a la parte posterior de la tapa con las aberturas de las ranuras con forma de z del panel superior. Deslice la tapa hacia atrás y hacia arriba y, por último, hacia atrás de nuevo. Apriete el tornillo blindado o bloquee con la llave. Véase la figura 11.

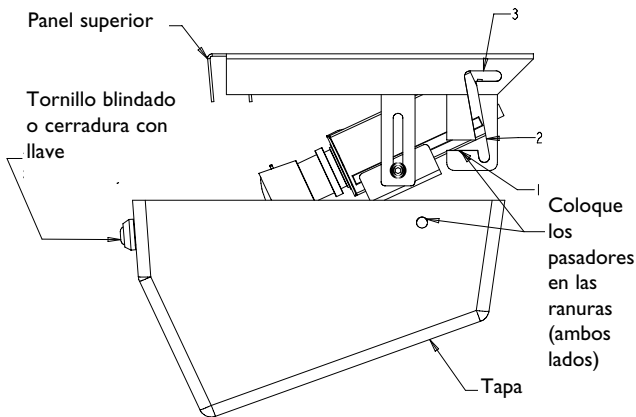


Figura 11: Instalación de la tapa

2. Examine la alineación de la cámara / lente en la unidad. La cámara / lente debe estar situada lo más cerca posible de la ventana de visualización. Extraiga la tapa y realice los ajustes necesarios y, a continuación, colóquela de nuevo.
3. Asegure la tapa girando hacia la derecha el tornillo blindado (utilizando la herramienta de atornillar suministrada) o el bloqueo de llave (utilizando la llave suministrada) hasta que la tapa esté en contacto estrecho con el panel superior.

Nota: Guarde la herramienta de atornillar o la llave para utilizarlas posteriormente.

4. Para las instalaciones en las que la unidad se monta en el techo, la tapa superior puede dejarse abierta por las bisagras para reparar o ajustar la cámara o la lente. Deje simplemente que los dos pasadores de la parte posterior de la tapa descansen sobre la parte inferior de las ranuras en forma de z del panel superior.

VEILIGHEIDSVORZORGEN

	VOORZICHTIG RISICO VAN ELEKTRISCHE SCHOK NIET OPENEN	
LET OP: OPEN DE BEHUZING NIET OM HET RISICO OP EEN ELECTRICHE SCHOK TE VOORKOMEN. HET APPARAAT BEVAT GEEN VERVANGBARE ONDERDELEN. LAAT ONDERHOUD OVER AAN GEKWALIFICEERD PERSONEEL.		

Dit label kan wegens ruimtegebrek op de onderkant van het apparaat zitten.



De bliksemflits in een gelijkzijdige driehoek is bedoeld om de gebruiker te wijzen op de aanwezigheid van een niet geïsoleerde hoge spanning binnen de behuizing van het product. Deze spanning kan zo hoog zijn dat het risico van een elektrische schok aan personen aanwezig is.



Het uitroepteken in een gelijkzijdige driehoek is bedoeld om de gebruiker te waarschuwen voor de aanwezigheid van belangrijke bedienings- of onderhoudsaanwijzingen in de bij het apparaat behorende literatuur.

WAARSCHUWING: STEL DEZE UNIT NIET BLOOT AAN REGEN OF VOCHT OM BRAND OF GEVAAR OP EEN ELECTRICHE SCHOK TE VOORKOMEN.

INHOUD

1	UITPAKKEN	5.3
2	SERVICE	5.3
3	ONDERHOUD EN REPARATIE	5.3
4	BESCHRIJVING	5.3
5	INSTALLEREN	5.3
5.1	Demonteren	5.3
5.2	Behuizing monteren	5.4
5.3	Camera/lens monteren	5.5
5.4	Montage afronden	5.6

I UITPAKKEN

Pak de onderdelen voorzichtig uit, want deze elektromechanische apparatuur moet zorgvuldig worden behandeld.

Controleer of de volgende onderdelen zijn geleverd:

- Modelnummer van eenheid.
- Hardwarekit.
 - (1) ¼-20 bolkopschroef
 - (1) speciaal hulpmiddel voor beveiligingsschroef (alleen basismodellen)
 - (1) extra camerabeugel
 - (1) sleutel (alleen bij afsluitbare modellen)

Als een onderdeel transportschade vertoont, leg het dan voorzichtig terug in de verpakking en geef de schade door aan de expediteur. Ontbreken er onderdelen, neem dan contact op met uw vertegenwoordiger van Philips CSS of met de servicedienst.

De doos is de veiligste verpakking voor elke vorm van transport. Bewaar hem daarom voor eventueel later gebruik.

2 SERVICE

Als ooit een reparatie noodzakelijk zou zijn, neem dan contact op met het dichtstbijzijnde Philips CSS Service Centre voor informatie over het verzenden ter reparatie.

3 ONDERHOUD EN REPARATIE

Dit apparaat bevat geen bewegende delen. Periodiek onderhoud verlengt de levensduur van de eenheid. Reinig het cameravenster zo vaak als nodig is met een zachte doek en een mild sopje zonder bijtende reinigers.

4 BESCHRIJVING

De LTC 9405-serie bestaat uit behuizingen voor montage aan een wand of plafond, ontwikkeld voor toepassing in bijvoorbeeld gevangenissen, parkeergarages en ziekenhuizen. De behuizingen zijn de ideale oplossing voor omgevingen waar een CCTV-camera beveiligd moeten worden gemonteerd.

De afmetingen van de behuizingen zijn 279 x 165 x 140 mm en zij zijn geschikt voor combinaties van een camera en lens met afmetingen tot 190 x 68 x 68 mm (l x b x h).

De gegoten lichtgewicht behuizing is ongeveer even sterk als staalplaat met een sterkte 10, maar aluminium biedt het voordeel van de uitstekende verhouding tussen een laag gewicht bij een hoge sterkte. Het standaardvenster bestaat uit transparant polycarbonaat van 9,5 mm en is voorzien van een krasbestendige coating. Het afneembare paneel biedt toegang tot de camera en is afgesloten met één beveiligingsschroef. Bij de kit wordt een speciaal gereedschap geleverd om de behuizing te openen en te sluiten. Tijdens het onderhouden of instellen van de camera kan het paneel volledig worden verwijderd of (bij montage aan een plafond) kan men het vast aan het bovenpaneel laten zitten in de aanwezige "scharnieren".

De aantrekkelijk vormgegeven behuizingen zijn ontworpen voor montage aan het plafond of horizontaal of verticaal aan een wand. Tot de opties behoren een slot om de behuizing af te sluiten en een transparant cameravenster van 12,7 mm.

5 INSTALLEREN



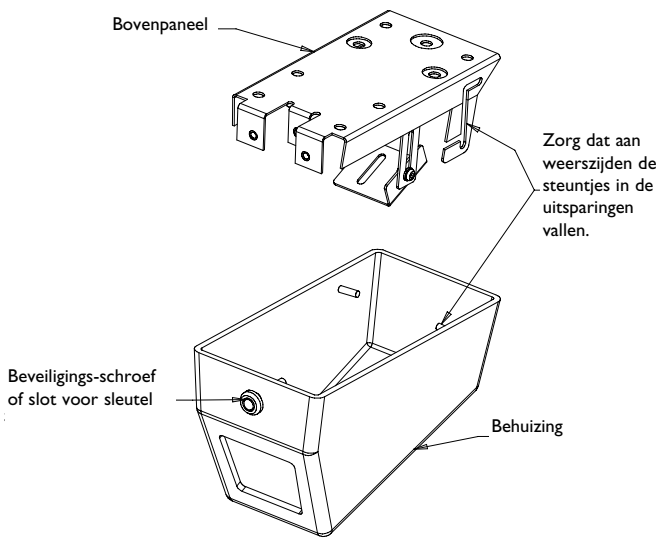
De installatie dient door gekwalificeerde technici en overeenkomstig de lokale regelgeving te worden uitgevoerd.

Benodigd gereedschap
moersleutel 5/32-inch.
moersleutel 10 mm.

5.1 Demonteren

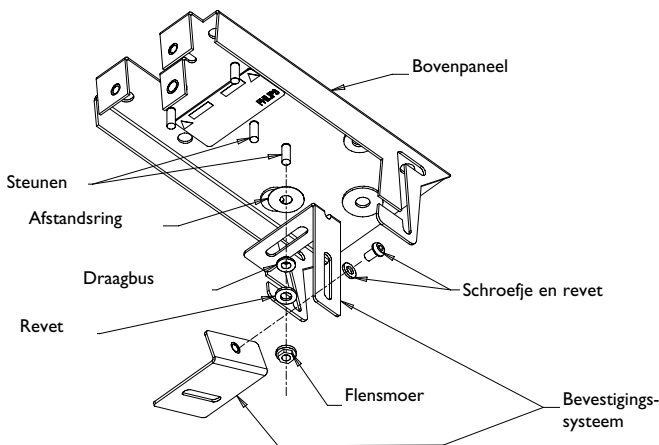
1. Haal de eenheid uit de verpakking.
2. Voor de modellen LTC 9405/00 en 9405/03 is een speciaal gereedschap nodig om de beveiligingsschroef in het frontpaneel los te draaien. Zie afbeelding 1.

Bij de modellen LTC 9405/01 en 9405/05 is de speciale sleutel nodig om het slot op het voorpaneel te openen. Zie afbeelding 1.



Afbeelding 1: Behuizing openen

3. Draai het schroefje los of open het slot tot de voorzijde loskomt van het bovenpaneel van de behuizing.
4. Leg de eenheid op een werkbank of tafel en houd de behuizing in een stabiele positie. Verwijder het bovenpaneel door die naar achteren te trekken, dan ongeveer 5 cm omhoog en dan weer naar achteren tot de steuntjes in de kap los zijn uit de uitsparingen in de bovenkant.
5. Draai de flensmoer los en neem de camerabeugel uit het bovenpaneel. Zie afbeelding 2. Let op dat u geen onderdelen verliest, want u hebt ze later nodig om de camera en de behuizing weer te monteren.



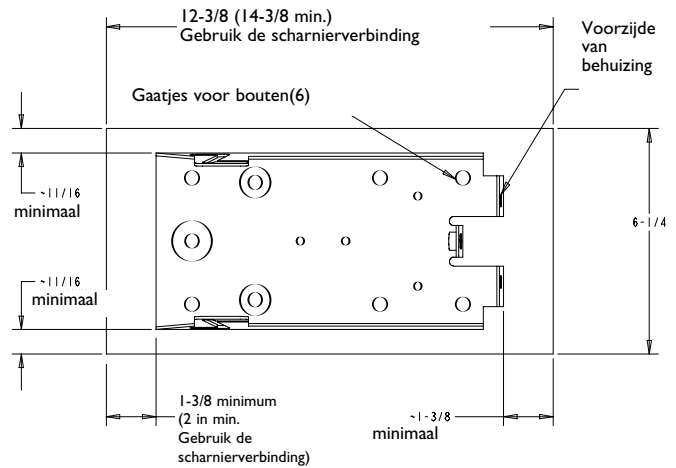
Afbeelding 2: Camerabevestiging losmaken

5.2 Behuizing monteren

1. Monteer het bovenpaneel horizontaal of verticaal aan een wand of plafond in de door u gewenste positie. Zie afbeelding 3. Het beste is een egaal oppervlak. Let op de minimaal vereiste ruimte, zoals in afbeelding 3 is aangegeven.

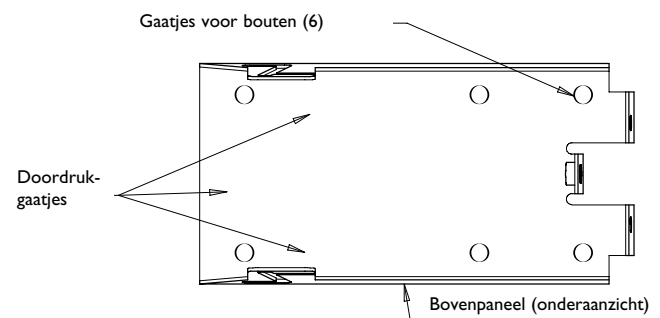


WAARSCHUWING! Laat de behuizing nooit opengeklapt hangen als u de eenheid aan een wand ophangt, want dan kan het voorpaneel van het bovenpaneel vallen.



Afbeelding 3: Montage van bovenpaneel

2. Markeer de posities van de bevestigingsbouten op de ondergrond waar u het paneel wilt monteren. Gebruik daarbij de gaatjes in het paneel als mal. U moet minimaal vier bouten van 8 mm gebruiken, maar we raden u aan er zes te gebruiken.
3. Boor gaatjes en breng afhankelijk van de gekozen ondergrond het juiste type bouten aan.
4. Bepaal hoe de bekabeling naar de behuizing zal gaan lopen. De behuizing heeft twee doordrukgaatjes met een doorsnede van 1,27 cm en een doordrukgaatje van 1,9 cm. Zie afbeelding 4.

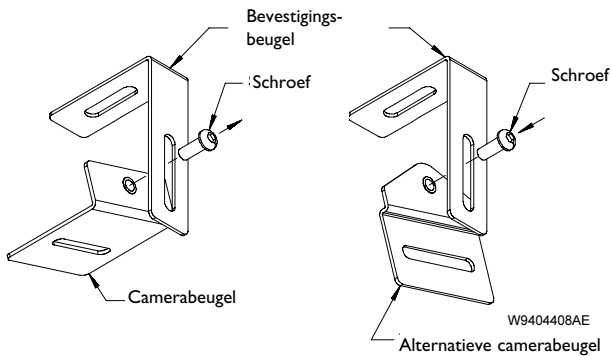


Afbeelding 4: Boutgaatjes en doordrukgaatjes

5. Monteer het bovenpaneel en leg de bedrading.

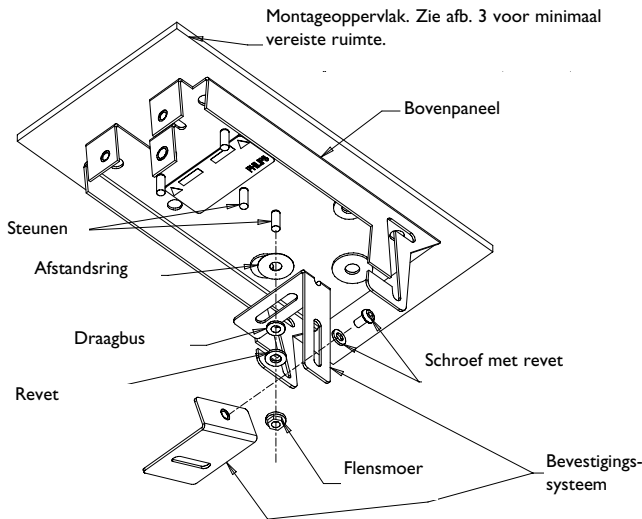
5.3 Camera/lens monteren

1. Als u de camera horizontaal aan een wand wilt monteren, maak de camera dan los van de montagebeugel en monteer de andere camerabeugel die als onderdeel van de kit is geleverd. Zie afbeelding 5.



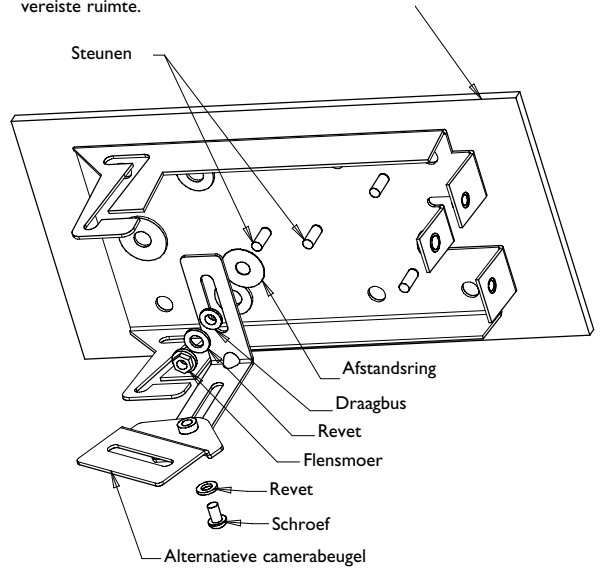
Afbeelding 5: Andere camerabeugel monteren

2. Monteer de camerabeugel weer aan het bovenpaneel met dezelfde montageonderdelen die u in stap 5 onder 5.1 hebt verwijderd. Gebruik een van de twee steunen bij het midden van het paneel, afhankelijk van de afmetingen van de camera en de lens. Zie de afbeeldingen 6 en 7.



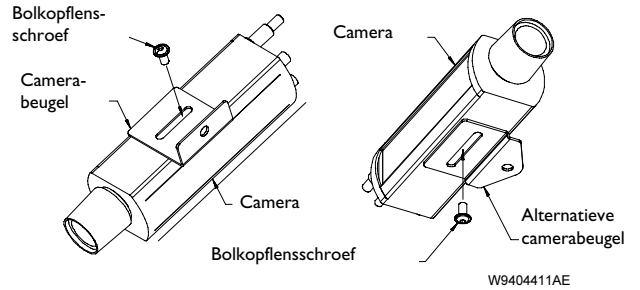
Afbeelding 6: Bevestigings-systeem monteren

Montageoppervlak. Zie afb. 3 voor minimaal vereiste ruimte.

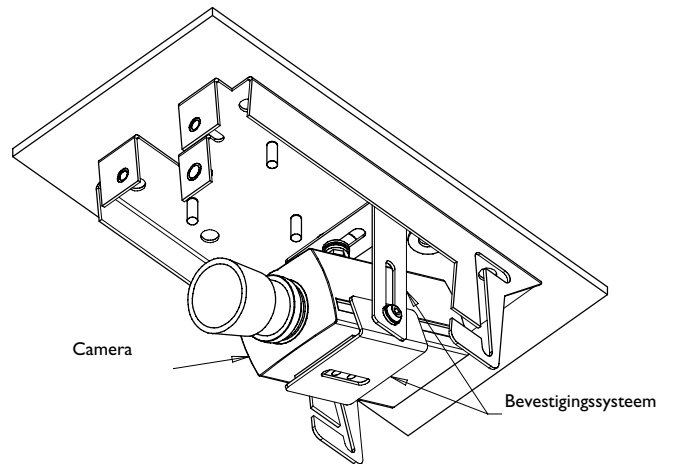


Afbeelding 7: Bevestigings-systeem met andere beugel monteren

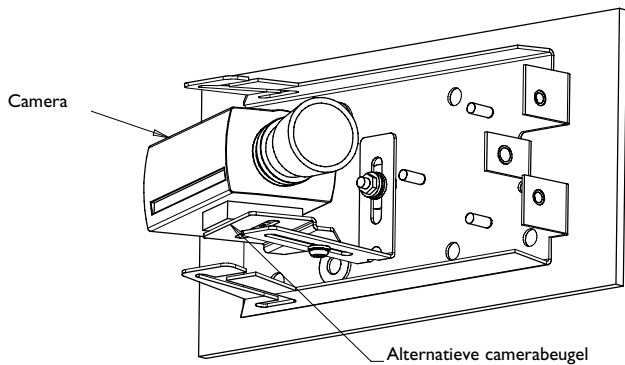
3. Zet de camera vast aan de beugel met behulp van de 1/4-20 x 1/2 inch bolkopflensschroef die bij de eenheid is geleverd. Zie de afbeeldingen 8, 9 en 10.



Afbeelding 8: Camerabevestigingen



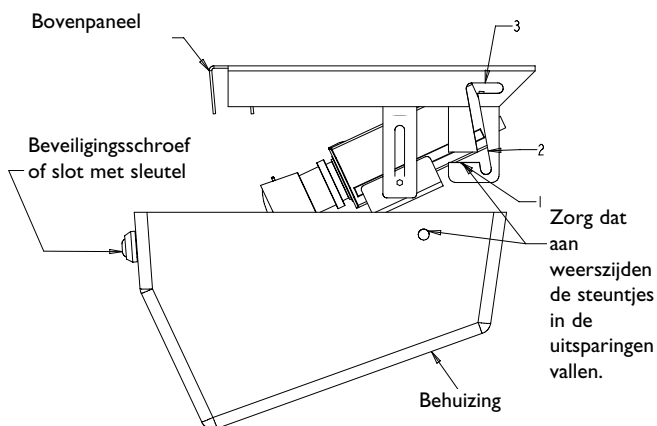
Afbeelding 9: Camera en bevestigings-systeem



Afbeelding 10: Camera met alternatieve beugel bevestigd aan een wand

5.4 Montage afronden

1. Monteer de behuizing door de twee steunen bij de achterzijde van de kap uit te lijnen op de openingen van de Z-vormige uitsparingen in het bovenpaneel. Schuif het paneel naar achter, dan iets naar boven en dan weer naar achter. Draai de beveiligingsschroef vast of draai het slot met de sleutel dicht. Zie afbeelding 11.



Afbeelding 11: Behuizing monteren

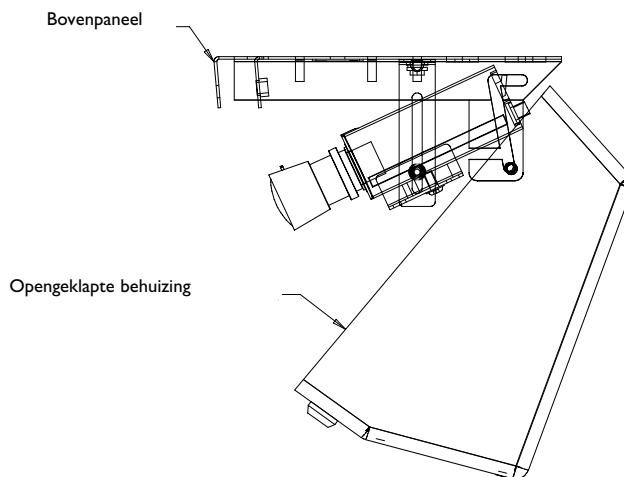
2. Controleer of de camera en de lens op de juiste positie in de behuizing zijn aangebracht. De lens moet zo dicht mogelijk bij het venster hangen. Als dit niet optimaal is, maak dan de behuizing open, breng de gewenste wijzigingen aan en maak de behuizing weer dicht.
3. Sluit de behuizing af door de beveiligingsschroef vast te draaien (met het bijgeleverde hulpmiddel) of draai het slot dicht (met de bijgeleverde sleutel). U draait de schroef of de sleutel rechtsom tot de behuizing tegen het bovenpaneel aansluit.

Opmerking: Bewaar het speciale hulpmiddel of de sleutel op een veilige plaats.

4. Als de camera aan een plafond wordt opgehangen, dan kan het bovenpaneel worden geopend om onderhoud te plegen of de positie van de lens en de camera aan te passen. Zorg dat de twee steunen bij de achterzijde van de kap in de Z-vormige uitsparingen in het bovenpaneel blijven rusten.





WAARSCHUWING! Laat de behuizing nooit opengeklapt hangen als u de eenheid aan een wand ophangt, want dan kan het voorpaneel van het bovenpaneel vallen.



Afbeelding 12: Opengedraaide behuizing

NORME CAUTELATIVE DI SICUREZZA

	AVVERTENZA RISCHIO DI FOLGORAZIONE NON APRIRE!	
ATTENZIONE: PER RIDURRE IL RISCHIO DI SCOSSE ELETTRICHE, NON APRIRE I COPERCHI. ALL'INTERNO NON VI SONO COMPONENTI SU CUI L'UTENTE DEVE ESEGUIRE INTERVENTI DI MANUTENZIONE. AFFIDARE LA MANUTENZIONE A PERSONALE QUALIFICATO.		

A causa di limitazioni di spazio questa etichetta può essere collocata sul fondo dell'apparecchio.



Il simbolo del fulmine con la freccia, all'interno di un triangolo equilatero, intende avvisare l'utente della presenza di una "tensione pericolosa" non isolata all'interno del contenitore, che può essere abbastanza elevata da costituire un rischio di scossa elettrica per le persone.



Il punto esclamativo all'interno di un triangolo equilatero intende avvisare l'utente della presenza, negli stampati che accompagnano l'apparecchio, di importanti istruzioni per l'uso e la manutenzione.

AVVERTENZA: PER EVITARE RISCHI D'INCENDIO O DI SCOSSE ELETTRICHE, NON ESPORRE ALLA PIOGGIA O ALL'UMIDITÀ APPARECCHI NON SPECIFICAMENTE PROGETTATI PER USO ALL'ESTERNO.

CONTENUTI

1	DISIMBALLAGGIO	.6.3
2	ASSISTENZA	.6.3
3	CURA E MANUTENZIONE	.6.3
4	DESCRIZIONE	.6.3
5	INSTALLAZIONE	.6.3
5.1	Disimballaggio	.6.3
5.2	Montaggio dell'unità	.6.4
5.3	Installazione di telecamera/ottica	.6.5
5.4	Montaggio finale	.6.6

I DISIMBALLAGGIO

Disimballare con cautela. Si tratta di attrezzature elettromeccaniche da maneggiare con cura.

Controllare i seguenti componenti:

- Numero di modello dell'unità.
- Kit ferramenta.
 - (1) Vite per flangia da ¼-20
 - (1) Utensile per vite antiscasso (solo modelli base)
 - (1) Staffa telecamera alternativa
 - (1) Chiave (solo modelli con serratura)

Se un componente ha subito dei danni durante la spedizione, inserirlo nella confezione e notificare l'accaduto allo spedizioniere. Se un componente risulta mancante, notificarne la mancata consegna al rappresentante commerciale o all'assistenza clienti di Philips Communication & Security Systems.

L'imballo è il contenitore più sicuro ed idoneo per il trasporto dell'unità. Conservarlo per impieghi futuri.

2 ASSISTENZA

Se l'unità dovesse richiedere un intervento d'assistenza, il cliente è pregato di contattare il Centro assistenza Philips Communication & Security Systems più vicino per ottenere il numero di autorizzazione al rientro e le istruzioni per la spedizione.

3 CURA E MANUTENZIONE

Nell'unità non vi sono parti in movimento. Un programma di manutenzione periodico favorisce il prolungamento della vita utile di quest'unità. Pulire la finestra quando necessario con un detergente delicato, non abrasivo diluito con acqua ed un panno morbido.

4 DESCRIZIONE

La serie LTC 9405 è costituita da alloggiamenti di sicurezza installabili a parete o su soffitti, progettati per applicazioni quali istituti di pena, parcheggi e garage ed ospedali. Questi alloggiamenti sono ideali per qualsiasi applicazione che prevede attività di monitoraggio CCTV di sicurezza.

L'LTC 9405 ha dimensioni globali di 279 mm x 165 mm x 140 mm. Questi alloggiamenti sono in grado di alloggiare

combinazioni telecamera-ottica con dimensioni fino a 190 P x 68 L x 68 A mm.

Per la massima protezione e resistenza, la leggera struttura in alluminio stampato degli alloggiamenti serie LTC 9405 garantisce una resistenza pari all'acciaio 10 con una resistenza superiore data dal rapporto di peso dell'alluminio. La finestra standard è realizzata in policarbonato neutro da 9,5 mm trattato con un rivestimento anti-graffio. Il coperchio rimovibile consente l'accesso alla telecamera ed è fissato con una vite prigioniero antiscasso. Viene fornito uno speciale strumento per stringere o svitare la vite che chiude il coperchio. Per semplificare la regolazione o la manutenzione della telecamera, è possibile rimuovere completamente il coperchio, oppure (per installazioni a soffitto) lasciarlo collegato al pannello superiore tramite i "cardini".

Eleganti nel design, questi alloggiamenti sono progettati per il montaggio a soffitto, od a parete in posizione orizzontale o verticale. Tra le opzioni una serratura a chiave sul pannello di accesso ed una finestra neutra da 12,7 mm.

5 INSTALLAZIONE



L'installazione deve essere effettuata esclusivamente da personale qualificato nel rispetto del codice elettrico nazionale e delle normative locali vigenti.

Strumenti necessari.

Chiave Allen - 5/32 pollici.

Chiave - 10 mm.

5.1 Disimballaggio

1. Estrarre il kit ferramenta dall'imballo.
2. I modelli LTC 9405/00 e 9405/03 richiedono l'impiego di uno strumento speciale per svitare la vite antiscasso situata sulla parte frontale del coperchio. Vedi figura 1.

I modelli LTC 9405/01 e 9405/05 richiedono l'impiego della chiave per aprire la serratura situata sulla parte frontale del coperchio. Vedi figura 1.

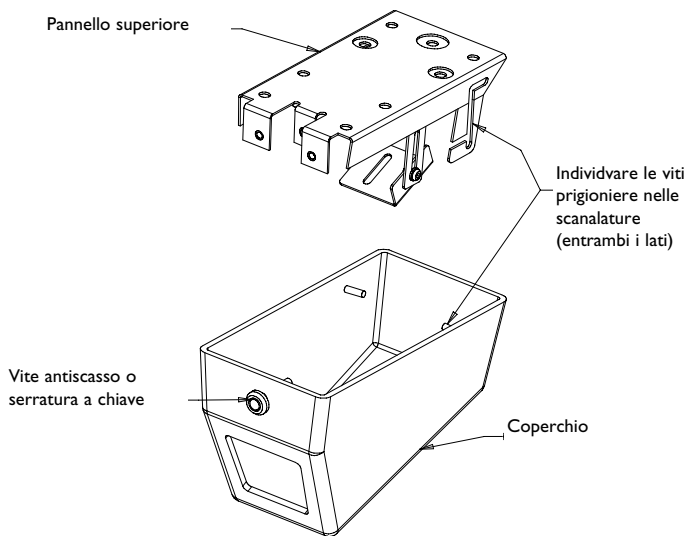


Figura 1: Rimozione del coperchio

3. Per tutti i modelli, svitare la vite od aprire la serratura per sganciare il coperchio dal pannello frontale.
4. Collocando l'unità su un piano di lavoro o su un tavolo, tenere fermo il coperchio. Rimuovere il pannello superiore tirandolo indietro, poi sollevandolo di circa 51 mm, ed infine portarlo nuovamente indietro finché i perni del coperchio non si liberano dalle fessure sul pannello superiore.
5. Svitare il dado della flangia e rimuovere il sistema di fissaggio della telecamera dal pannello superiore. Vedi figura 2. Non perdere i componenti, perché saranno necessari per montare la telecamera e riassemble l'unità.

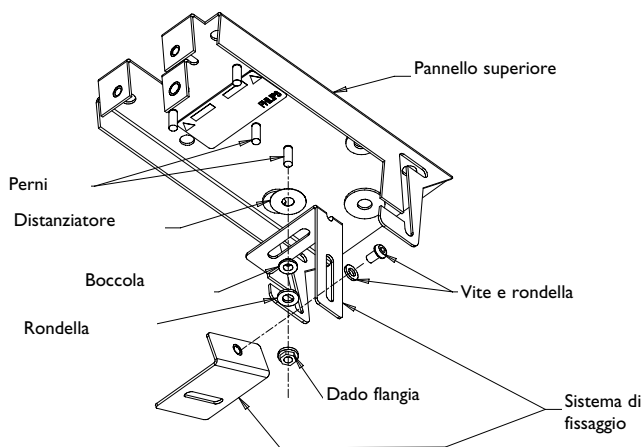


Figura 2: Rimozione del sistema di fissaggio

5.2 Montaggio dell'unità

1. Collocare il pannello superiore sul soffitto o sulla parete, in posizione orizzontale o verticale, a seconda delle specifiche esigenze. Vedi figura 3. Una superficie piana e regolare è ideale per una corretta installazione. Tenere presenti i requisiti di spazio minimi necessari evidenziati un figura 3.



AVVERTENZA! - Non utilizzare i cardini quando l'unità è montata a parete. Il coperchio potrebbe scivolare fuori dal pannello superiore.

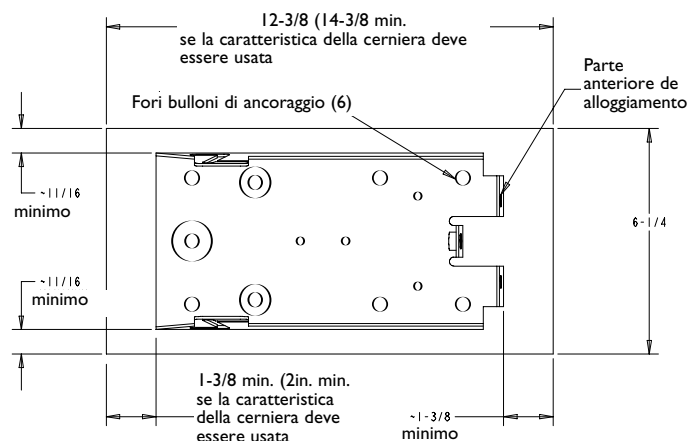


Figura 3: Collocazione dei pannelli superiore

2. Marcare le posizioni del bullone di ancoraggio sulla superficie di montaggio utilizzando come dima i fori presenti sul pannello superiore. Sono necessari almeno quattro bullono da 8-mm (5/16 pollici). Si suggerisce l'utilizzo di sei bulloni.
3. Forare ed installare gli ancoraggi necessari dal tipo di superficie di montaggio.
4. Stabilire la disposizione del cablaggio. Sono disponibili due tasselli asportabili per condotti da 1/2 di pollice ed uno per un condotto da 3/4 di pollice. Vedi figura 4.

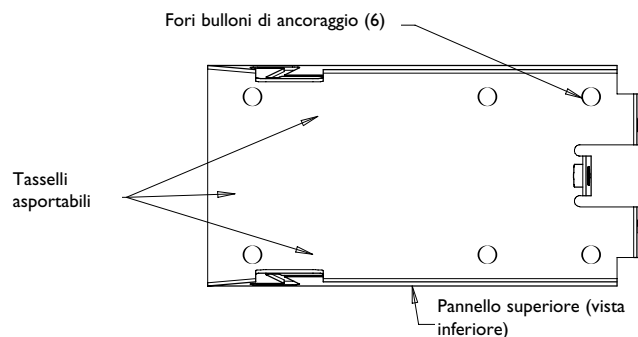


Figura 4: Fori per bulloni e tasselli asportabili

5. Montare il pannello superiore utilizzando i bulloni e disporre il cablaggio.

5.3 Installazione di telecamera/optica

1. Se l'installazione richiede che la telecamera venga montata in orizzontale sulla parete, rimuovere la staffa porta telecamera dal sistema di fissaggio ed installare la staffa alternativa fornita con il kit ferramenta. Vedi figura 5.

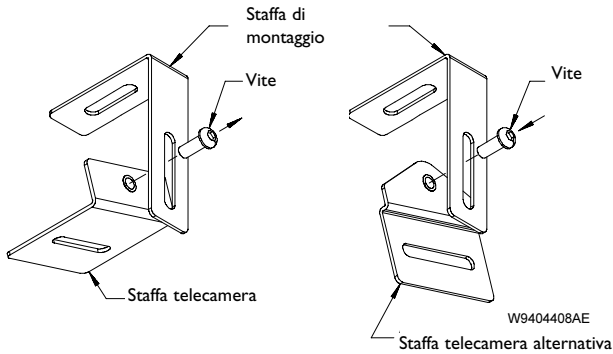


Figura 5: Montaggio staffa telecamera alternativa

2. Ricollegare il sistema di fissaggio telecamera al pannello superiore tramite la stessa ferramenta rimossa al punto 5 della sezione 5.1. Utilizzare uno dei due perni in prossimità del centro del pannello, a seconda delle dimensioni del gruppo telecamera / ottica. Vedi figure 6 e 7.

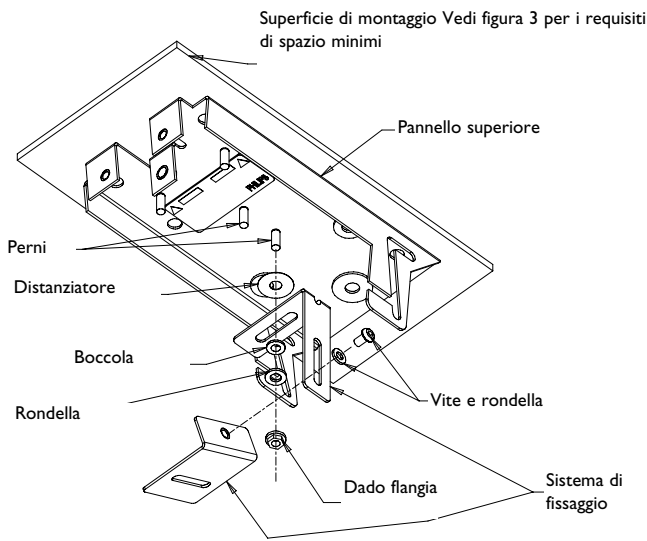


Figura 6: Installazione del sistema di fissaggio

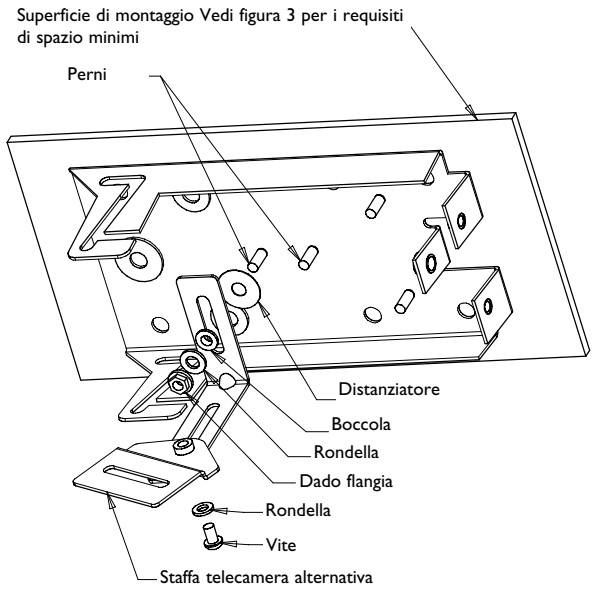


Figura 7: Montaggio del sistema di fissaggio con staffa alternativa

3. Fissare la telecamera al supporto con la vite per flangia da 1/4-20 x 1/2 pollici fornita con il kit ferramenta. Vedi figure 8, 9 e 10.

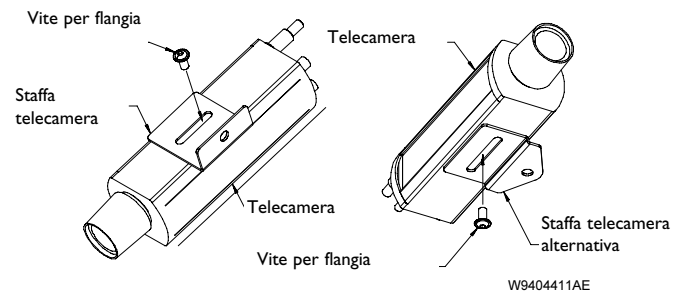


Figura 8: Montaggi telecamera

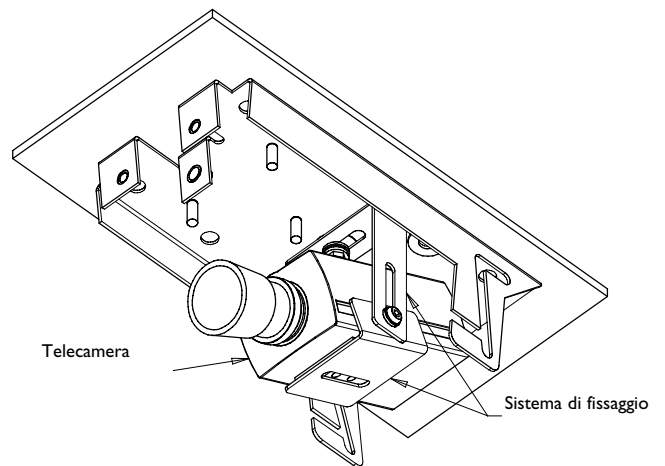


Figura 9: Telecamera e sistema di fissaggio

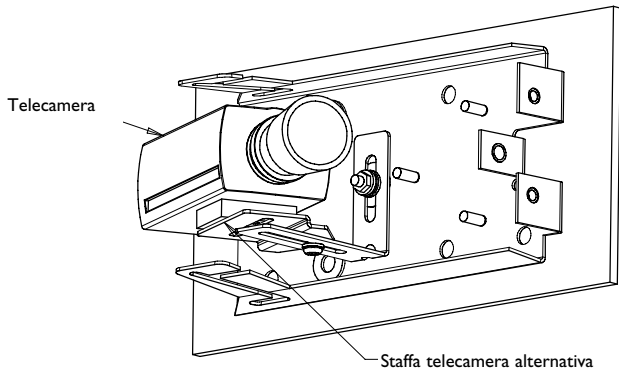


Figura 10: Telecamera installata a parete con staffa alternativa

5.4 Montaggio finale

1. Montare il coperchio allineando i due perni in prossimità del retro del coperchio con le aperture delle fessure a forma di z del pannello superiore. Far scorrere il coperchio verso il retro dell'unità, poi verso l'alto ed infine nuovamente verso il retro. Stringere la vite antiscasso o chiudere la serratura. Vedi figura 11.

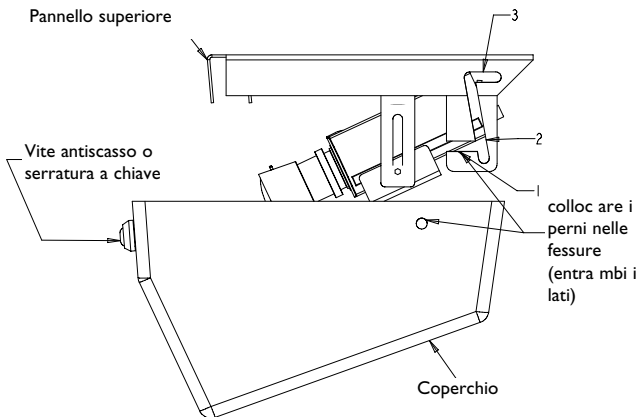


Figura 11: Installazione del coperchio

2. Verificare l'allineamento del gruppo telecamera / ottica all'interno dell'unità. Il gruppo telecamera / ottica deve essere collocato il più vicino possibile alla finestra. Rimuovere il coperchio e procedere con le regolazioni, poi reinstallare il coperchio.
3. Fissare il coperchio avvitando la vite antiscasso (con il strumento in dotazione) o ruotando la serratura (con la chiave in dotazione) in senso orario fino a serrare il coperchio contro il pannello superiore.

Nota: Conservare il strumento per la vite antiscasso o la chiave per esigenze future.

4. Per installazioni in cui l'unità viene montata a soffitto, il coperchio superiore può essere fissato in posizione aperta per le operazioni di regolazione o manutenzione del gruppo telecamera / ottica. E' sufficiente fare in modo che i due perni posti sul retro del coperchio si inseriscano nella parte inferiore delle fessure a forma di z del pannello superiore.



AVVERTENZA! - Non utilizzare i cardini quando l'unità è montata a parete, in quanto il coperchio potrebbe sganciarsi dal pannello superiore.

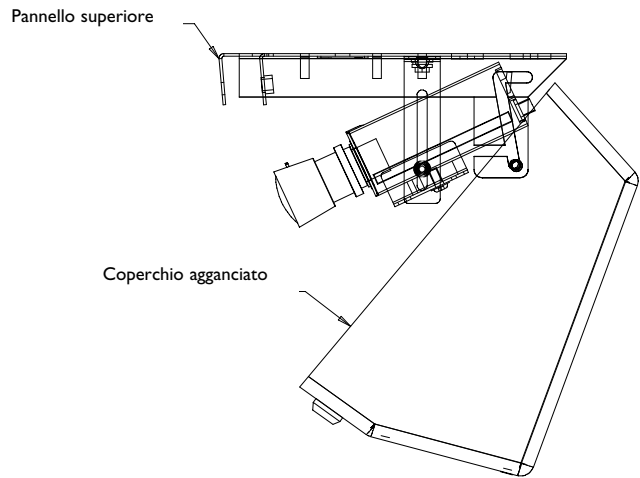


Figura 12: Coperchio in posizione aperta

